

CLASSIC MODELS



Aero 100
Aero 125
Aero 150



Aero Gold



Aero Chrome

Use

- Extract fans

Application

- Residential premises
- Flats, cottages
- Offices
- Utility spaces
- Trade premises
- Restaurants
- Health care facilities
- Child care facilities

Options

Pull-cord switch

Pull-cord switch

Timer

- Turn-off delay adjustable from 2 to 30 min

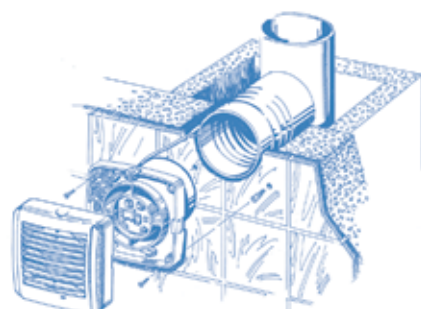
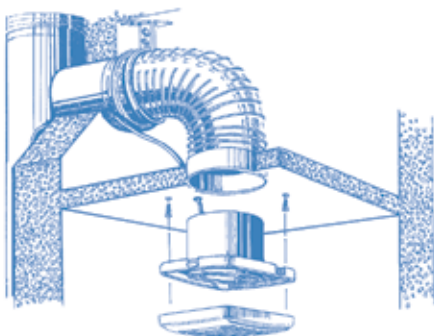
Humidity sensor

- Humidity setpoint adjustable from 60 % up to 90 %.
- Turn-off delay adjustable from 2 to 30 min

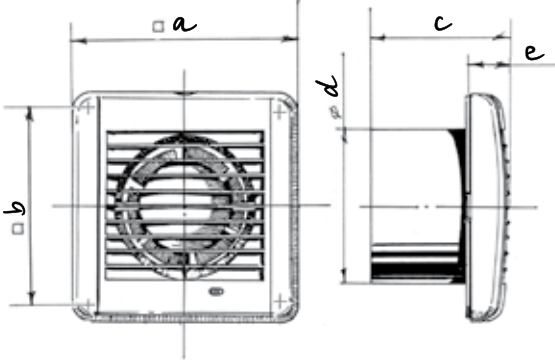
Features

- Wall and ceiling mounting
- Blauberg Aero Bivolt series models are equipped with specially designed motors compatible with both 127 V and 220 V power mains
- Easy maintenance
- Continuous operation
- Backdraft damper
- Ball bearing motor
- Available in chrome (Aero Chrome) and gold (Aero Gold) decorations
- 5 year warranty

| Model | Pull-cord switch | Turn-off delay timer | Humidity sensor |
|----------|------------------|----------------------|-----------------|
| Aero 100 | | | |
| 100 S | ● | | |
| 100 T | | ● | |
| 100 ST | ● | ● | |
| 100 H | | ● | ● |
| 100 SH | ● | ● | ● |
| Aero 125 | | | |
| 125 S | ● | | |
| 125 T | | ● | |
| 125 ST | ● | ● | |
| 125 H | | ● | ● |
| 125 SH | ● | ● | ● |
| Aero 150 | | | |
| 150 S | ● | | |
| 150 T | | ● | |
| 150 ST | ● | ● | |
| 150 H | | ● | ● |
| 150 SH | ● | ● | ● |

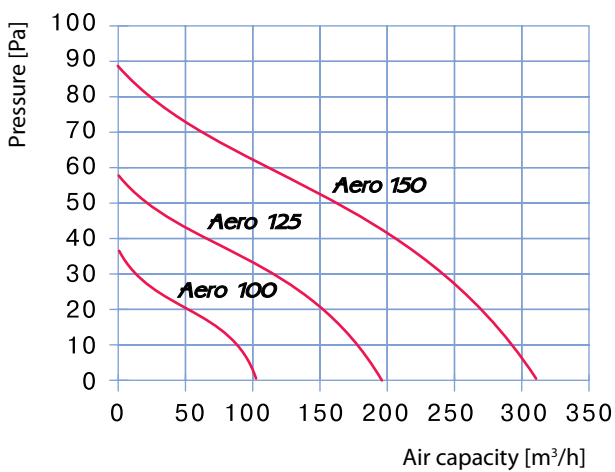


Overall and mounting dimensions

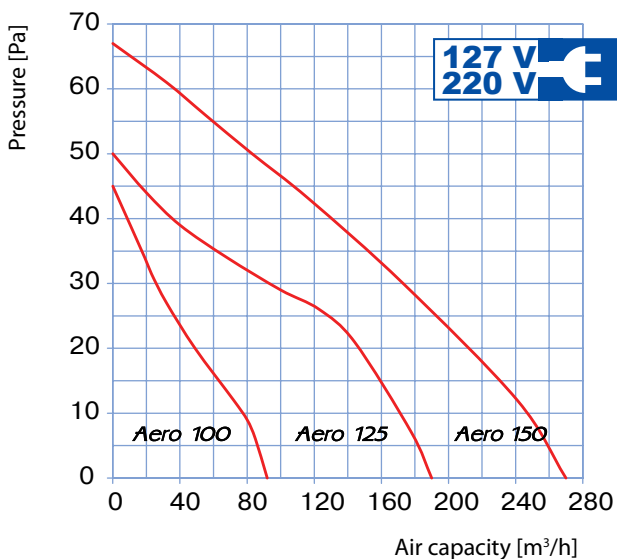


| Model | Dimensions [mm] | | | | |
|----------|-----------------|-----|------|-----|------|
| | a | b | c | d | e |
| Aero 100 | 144 | 122 | 92.5 | 100 | 29.5 |
| Aero 125 | 168 | 144 | 97 | 125 | 30 |
| Aero 150 | 198 | 170 | 119 | 150 | 30 |

Technical data



| Parameters | Aero 100 | Aero 125 | Aero 150 |
|-------------------------------------|----------|----------|----------|
| Voltage [V] | 220-240 | 220-240 | 220-240 |
| Power [W] | 14 | 16 | 24 |
| Air capacity [m³/h] | 102 | 193 | 309 |
| Sound pressure level at 3 m [dB(A)] | 38 | 39 | 40 |
| RPM [min ⁻¹] | 2300 | 2400 | 2400 |



| Parameters | Aero 100 Bivolt | | Aero 125 Bivolt | | Aero 150 Bivolt | |
|-------------------------------------|-----------------|-------|-----------------|-------|-----------------|-------|
| | 127 | 220 | 127 | 220 | 127 | 220 |
| Voltage [V] | 127 | 220 | 127 | 220 | 127 | 220 |
| Frequency [Hz] | 60 | | 60 | | 60 | |
| Power [W] | 10 | 9 | 16 | 15 | 25 | 25 |
| Current [A] | 0.115 | 0.054 | 0.119 | 0.102 | 0.175 | 0.338 |
| RPM [min ⁻¹] | 2500 | | 2400 | | 2350 | |
| Air capacity [m³/h] | 92 | | 190 | | 270 | |
| Sound pressure level at 3 m [dB(A)] | 34 | | 36 | | 39 | |
| IP | 34 | | 34 | | 34 | |



Packing