



# RRT025A

## Room thermostat with fan switch

RRT025A is a wall mounted room thermostat for controlling fan coils. The thermostat has a switch for controlling fan speed. Another switch selects heating or cooling mode.

- Closing contact, 10 (3) A 250 V AC
- Cooling or heating function
- On-off switch

RRT025A is an electro-mechanical thermostat for room mounting. The sensing element is a pair of gas-filled bellows with a stainless steel membrane which reacts to a change in temperature by creating a movement which is transmitted to the switch. The thermostat can be used for cooling or heating application. RRT025A also has a fan switch with three positions.

### Setpoint

The thermostat has a temperature range of 10...30°C.

- Fan switch with three positions
- Temperature range 10...30°C
- Easy to install

### Mounting

The thermostat has mounting holes of cc 60 mm and can be mounted on a standard wallbox.

### Applications

Can be used in fan-coil units, with cooling and/or heating function.

## Technical data

Sensor element	Unipolar gas filled bellow
Ambient temperature	0...40°C
Storage temperature	-40...+50°C
Ambient humidity	Max 90% RH



The product conforms with the requirements of the European LVD standard EN 60730-2-9:2002 and carries the CE-mark.

## Outputs

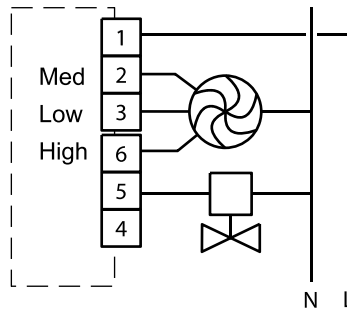
Thermostat	1 A 250 V AC. One closing contact.
Fan switch	10 (3) A 250 V AC (Total load, actuator + fan)

## Settings

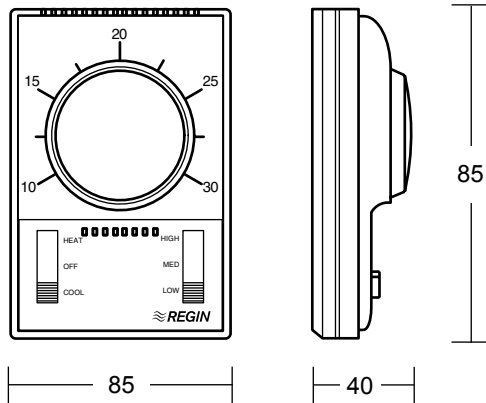
Setpoint	10...30 °C
Hysteresis	0.6 K, fixed
Protection class	IP20

## Connection

1	Supply voltage 250 V AC
2	Fan, medium speed
3	Fan, low speed
4	Neutral
5	Heating / Cooling output
6	Fan, high speed



## Dimensions



### Head Office Sweden

Phone: +46 31 720 02 00  
 Web: [www.regin.se](http://www.regin.se)  
 Mail: [info@regin.se](mailto:info@regin.se)

### Sales Offices

France: +33 14 171 46 46  
 Hong Kong: +852 24 07 02 81  
 Singapore: +65 67 47 82 33  
 Germany: +49 30 77 99 40



THE CHALLENGER IN BUILDING AUTOMATION