

HB / HBA



WALL FAN , VARIABLE PITCH BLADES

MANUFACTURING FEATURES:

- Plate axial fan with circular reinforced frame.
- Motor-impeller modular assembly for complete versatility.
- Corrosion-resistant powder coat epoxy resin..
- Standard asynchronous squirrel-cage motor with IP-55 protection and Class F insulation. Manufactured with standard voltages: 230V 50Hz in single phase motors and 230/400V 50Hz in three phase, motors up to 4kW and 400/690V 50Hz for higher powers.
- HB: Polyamide impeller with variable pitch angle reinforced with fiberglass
- HBA: Cast aluminum impeller with variable pitch angle.

APPLICATIONS:

Designed for wall or duct installation, they are suitable for:

- Air renewal in buildings and industries.
- Maximum working temperature: 1ph 50°C, 3ph 60°C.

ACCESSORIES



UNDER REQUEST:

- Supply impeller (air direction from impeller to motor)
- 100% reversible impeller.
- 60Hz fans and special voltages.
- Hot-dipped galvanized or stainless steel housing.

TECHNICAL DATA

SINGLE-PHASE MOTOR / 2 poles

Code	Model	R.P.M.	Rated I. (A) 230V	Rated power kW	Max. Airflow m3/h	Sound db (A)*	Weight Kg	Connect. diagram
26036306__P	HB 35 M2 0,55kW (A0:6)	2800	3,71	0,55	4.690	59	13	1
26039306__P	HB 35 M2 1,1kW (A0:6)	2800	6,71	1,1	5.760	57	13	1

SINGLE-PHASE MOTOR / 4 poles

Code	Model	R.P.M.	Rated I. (A) 230V	Rated power kW	Max. Airflow m3/h	Sound db (A)*	Weight Kg	Connect. diagram
26035306__P	HB 35 M4 0,12kW (A0:6)	1380	1,15	0,12	3.100	42	9	1
26040306__P	HB 40 M4 0,25kW (A0:6)	1400	1,93	0,25	4.690	48	14	1
26043306__P	HB 45 M4 0,37kW (A0:6)	1400	2,82	0,37	6.605	53	15	1
26050306__P	HB 50 M4 0,55kW (A0:6)	1400	3,98	0,55	9.320	52	21	1
26057356__P	HB 56 M4 0,37kW (A5:6)	1400	2,82	0,37	7.230	58	41	1
26058326__P	HB 56 M4 0,55kW (A2:6)	1400	3,98	0,55	8.290	56	43	1
26058356__P	HB 56 M4 0,55kW (A5:6)	1400	3,98	0,55	8.680	58	43	1

SINGLE-PHASE MOTOR / 6 poles

Code	Model	R.P.M.	Rated I. (A) 230V	Rated power kW	Max. Airflow m3/h	Sound db (A)*	Weight Kg	Connect. diagram
26043306__P	HB 40 M6 0,04kW (A0:6)	920	0,6	0,04	2.760	36	10	1
26049306__P	HB 45 M6 0,13kW (A0:6)	920	1,3	0,13	4.710	41	12	1
26052306__P	HB 50 M6 0,13kW (A0:6)	920	1,3	0,13	6.040	43	19	1
26056326__P	HB 56 M6 0,25kW (A2:6)	870	2,42	0,25	7.710	47	41	1
26056356__P	HB 56 M6 0,25kW (A5:6)	870	2,42	0,25	7.700	50	41	1
26057326__P	HB 56 M6 0,37kW (A2:6)	890	2,9	0,37	9.000	46	41	1
26057356__P	HB 56 M6 0,37kW (A5:6)	890	2,9	0,37	8.770	48	41	1
26063356__P	HB 63 M6 0,37kW (A5:6)	890	2,9	0,37	10.760	49	43	1
26062329__P	HB 63 M6 0,55kW (A2:9)	890	3,9	0,55	11.900	51	48	1
26062356__P	HB 63 M6 0,55kW (A5:6)	890	3,9	0,55	12.050	50	44	1
26071326__P	HB 71 M6 0,55kW (A2:6)	890	3,9	0,55	15.500	53	46	1
26071329__P	HB 71 M6 0,55kW (A2:9)	890	3,9	0,55	12.700	56	46	1

THREE-PHASE MOTOR / 2 poles

Code	Model	R.P.M.	Rated I. (A) 400V	Rated power kW	Max. Airflow m3/h	Sound db (A)*	Weight Kg	Connect. diagram
26036606__P	HB 35 T2 0,55kW (A0:6)	2800	1,29	0,55	4.690	59	13	2
26039606__P	HB 35 T2 1,1kW (A0:6)	2800	2,33	1,1	5.760	57	13	2
26042306__P	HB 40 T2 1,1kW (A0:6)	2800	2,33	1,1	7.850	61	20	2
26046606__P	HB 45 T2 1,5kW (A0:6)	2800	3,14	1,5	9.560	68	23	2
26048606__P	HB 45 T2 2,2kW (A0:6)	2800	4,58	2,2	12161,5	63	26	2

THREE-PHASE MOTOR / 4 poles

Code	Model	R.P.M.	Rated I. (A) 400V	Rated power kW	Max. Airflow m3/h	Sound db (A)*	Weight Kg	Connect. diagram
26035606__P	HB 35 T4 0,12kW (A0:6)	1400	0,46	0,12	3.100	42	9	2
26040606__P	HB 40 T4 0,25kW (A0:6)	1400	0,79	0,25	4.690	48	14	2
26047606__P	HB 45 T4 0,55kW (A0:6)	1400	1,49	0,55	7.260	50	15	2
26050606__P	HB 50 T4 0,55kW (A0:6)	1400	1,49	0,55	9.320	52	21	2
26057656__P	HB 56 T4 0,37kW (A5:6)	1400	1,07	0,37	7.230	58	41	2
26058626__P	HB 56 T4 0,55kW (A2:6)	1400	1,49	0,55	8.290	56	43	2
26058629__P	HB 56 T4 0,55kW (A2:9)	1400	1,49	0,55	6.590	56	46	2
26058656__P	HB 56 T4 0,55kW (A5:6)	1400	1,49	0,55	8.680	58	43	2
26059626__P	HB 56 T4 0,75kW (A2:6)	1390	1,63	0,75	10.500	55	44	2
26059629__P	HB 56 T4 0,75kW (A2:9)	1390	1,63	0,75	8.170	56	45	2
26059656__P	HB 56 T4 0,75kW (A5:6)	1390	1,63	0,75	10.810	59	44	2
26060626__P	HB 56 T4 1,1kW (A2:6)	1400	2,49	1,1	12.900	55	45	2
26060629__P	HB 56 T4 1,1kW (A2:9)	1400	2,49	1,1	11.700	57	48	2
26060656__P	HB 56 T4 1,1kW (A5:6)	1400	2,49	1,1	12.520	56	45	2
26061626__P	HB 56 T4 1,5kW (A2:6)	1400	3,26	1,5	13.900	56	48	2
26061629__P	HB 56 T4 1,5kW (A2:9)	1400	3,26	1,5	13.600	57	50	2
26061656__P	HB 56 T4 1,5kW (A5:6)	1400	3,26	1,5	13.560	57	47	2
26064626__P	HB 63 T4 0,55kW (A2:6)	1400	1,49	0,55	9.020	54	44	2
26065626__P	HB 63 T4 0,75kW (A2:6)	1390	1,63	0,75	11.400	57	45	2
26065629__P	HB 63 T4 0,75kW (A2:9)	1390	1,63	0,75	9.120	59	49	2
26065656__P	HB 63 T4 0,75kW (A5:6)	1390	1,63	0,75	12.020	60	45	2
26066626__P	HB 63 T4 1,1kW (A2:6)	1400	2,49	1,1	15.000	57	49	2
26066629__P	HB 63 T4 1,1kW (A2:9)	1400	2,49	1,1	11.700	59	53	2
26066656__P	HB 63 T4 1,1kW (A5:6)	1400	2,49	1,1	14.740	61	49	2
26067626__P	HB 63 T4 1,5kW (A2:6)	1400	3,26	1,5	18.300	57	51	2
26067629__P	HB 63 T4 1,5kW (A2:9)	1400	3,26	1,5	15.700	60	55	2
26067656__P	HB 63 T4 1,5kW (A5:6)	1400	3,26	1,5	16.610	59	51	2

Code	Model	R.P.M.	Rated I. (A) 400V	Rated power kW	Max. Airflow m3/h	Sound db (A)*	Weight Kg	Connect. diagram
26068626__P	HB 63 T4 2,2kW (A2:6)	1430	4,64	2,2	20.100	58	52	2
26068629__P	HB 63 T4 2,2kW (A2:9)	1430	4,64	2,2	20.300	60	56	2
26068656__P	HB 63 T4 2,2kW (A5:6)	1430	4,64	2,2	18.630	59	52	2
26069629__P	HB 63 T4 3kW (A2:9)	1430	6,17	3	21.800	60	57	2
26072626__P	HB 71 T4 0,75KW (A2:6)	1390	1,63	0,75	12.000	63	50	2
26072656__P	HB 71 T4 0,75kW (A5:6)	1390	1,63	0,75	13.630	65	51	2
26073626__P	HB 71 T4 1,1kW (A2:6)	1400	2,49	1,1	15.500	62	53	2
26073629__P	HB 71 T4 1,1kW (A2:9)	1400	2,49	1,1	12.100	65	55	2
26073656__P	HB 71 T4 1,1kW (A5:6)	1400	2,49	1,1	16.800	64	53	2
26074626__P	HB 71 T4 1,5kW (A2:6)	1400	3,26	1,5	20.800	61	55	2
26074629__P	HB 71 T4 1,5kW (A2:9)	1400	3,26	1,5	15.700	64	57	2
26074656__P	HB 71 T4 1,5kW (A5:6)	1400	3,26	1,5	19.960	63	55	2
26075626__P	HB 71 T4 2,2kW (A2:6)	1430	4,64	2,2	25.300	60	60	2
26075629__P	HB 71 T4 2,2kW (A2:9)	1430	4,64	2,2	21.600	63	61	2
26075656__P	HB 71 T4 2,2kW (A5:6)	1430	4,64	2,2	23.200	62	60	2
26076626__P	HB 71 T4 3kW (A2:6)	1430	6,17	3	27.900	60	62	2
26076629__P	HB 71 T4 3kW (A2:9)	1430	6,17	3	25.300	63	64	2
26076656__P	HB 71 T4 3kW (A5:6)	1430	6,17	3	25.160	65	62	2
26081626__P	HB 80 T4 1,1KW (A2:6)	1400	2,49	1,1	15.400	63	50	2
26082626__P	HB 80 T4 1,5KW (A2:6)	1400	3,26	1,5	20.300	63	54	2
26082629__P	HB 80 T4 1,5KW (A2:9)	1400	3,26	1,5	16.200	71	55	2
26083626__P	HB 80 T4 2,2kW (A2:6)	1430	4,64	2,2	27.900	63	63	2
26083629__P	HB 80 T4 2,2kW (A2:9)	1430	4,64	2,2	21.200	69	66	2
26084626__P	HB 80 T4 3kW (A2:6)	1430	6,17	3	32.500	63	67	2
26084629__P	HB 80 T4 3kW (A2:9)	1430	6,17	3	26.400	68	70	2
26084656__P	HB 80 T4 3kW (A5:6)	1430	6,17	3	31.090	68	67	2
26085626__P	HB 80 T4 4kW (A2:6)	1440	8,32	4	36.100	62	78	2
26085629__P	HB 80 T4 4kW (A2:9)	1440	8,32	4	31.900	67	80	2
26085656__P	HB 80 T4 4kW (A5:6)	1440	8,32	4	34.000	65	78	2
26086626__P	HB 80 T4 5,5kW (A2:6)	1440	10,5	5,5	39.000	62	80	2
26086629__P	HB 80 T4 5,5kW (A2:9)	1440	10,5	5,5	38.200	65	83	2
26093663__P	HB 90 T4 3kW (A6:3)	1430	6,17	3	30.700	63	74	2
26094663__P	HB 90 T4 4kW (A6:3)	1440	8,32	4	37.700	66	85	2
26095663__P	HB 90 T4 5,5kW (A6:3)	1440	10,5	5,5	41.400	68	89	2
26095666__P	HB 90 T4 5,5kW (A6:6)	1440	10,5	5,5	33.400	71	93	2
26096663__P	HB 90 T4 7,5kW (A6:3)	1440	14,1	7,5	45.700	69	101	2
26096666__P	HB 90 T4 7,5kW (A6:6)	1440	14,1	7,5	40.800	72	106	2
26097663__P	HB 90 T4 11kW (A6:3)	1460	21,2	11	49.700	71	142	2
26097666__P	HB 90 T4 11kW (A6:6)	1460	21,2	11	48.700	73	146	2

Code	Model	R.P.M.	Rated I. (A) 400V	Rated power kW	Max. Airflow m3/h	Sound db (A)*	Weight Kg	Connect. diagram
26098666__P	HB 90 T4 15kW (A6:6)	1460	29,8	15	56.500	70	166	2
26014663__P	HB 100 T4 5,5kW (A6:3)	1440	10,5	5,5	48.700	69	98	2
26015663__P	HB 100 T4 7,5kW (A6:3)	1440	14,1	7,5	55.500	68	112	2
26015666__P	HB 100 T4 7,5kW (A6:6)	1440	14,1	7,5	44.200	76	115	2
26016663__P	HB 100 T4 11kW (A6:3)	1460	21,2	11	63.000	70	152	2
26016666__P	HB 100 T4 11kW (A6:6)	1460	21,2	11	56.200	77	157	2
26017663__P	HB 100 T4 15kW (A6:3)	1460	29,8	15	67.100	72	178	2
26017666__P	HB 100 T4 15kW (A6:6)	1460	29,8	15	63.500	76	181	2
26018666__P	HB 100 T4 18,5kW (A6:6)	1465	35,6	18,5	71.200	73	221	2
26019666__P	HB 100 T4 22kW (A6:6)	1470	40,1	22	78.300	75	230	2
26023663__P	HB 112 T4 5,5kW (A6:3)	1440	10,5	5,5	52.700	73	115	2
26024663__P	HB 112 T4 7,5kW (A6:3)	1440	14,1	7,5	63.400	74	125	2
26025663__P	HB 112 T4 11kW (A6:3)	1460	21,2	11	72.600	74	162	2
26025666__P	HB 112 T4 11kW (A6:6)	1460	21,2	11	55.700	78	168	2
26026663__P	HB 112 T4 15kW (A6:3)	1460	29,8	15	83.600	73	183	2
26026666__P	HB 112 T4 15kW (A6:6)	1460	29,8	15	72.700	78	188	2
26027663__P	HB 112 T4 18,5kW (A6:3)	1465	35,6	18,5	87.300	74	220	2
26027666__P	HB 112 T4 18,5kW (A6:6)	1465	35,6	18,5	77.900	77	225	2
26028663__P	HB 112 T4 22kW (A6:3)	1470	40,1	22	89.800	74	221	2
26028666__P	HB 112 T4 22kW (A6:6)	1470	40,1	22	88.400	76	226	2
26029666__P	HB 112 T4 30kW (A6:6)	1475	56,3	30	104.000	78	272	2
27006674__P	HB 125 T4 11kW (A7:4)	1460	21,2	11	71.400	83	182	2
27007674__P	HB 125 T4 15kW (A7:4)	1460	29,8	15	85.800	81	205	2
27007678__P	HB 125 T4 15kW (A7:8)	1460	29,8	15	66.300	89	210	2
27008674__P	HB 125 T4 18,5kW (A7:4)	1465	35,6	18,5	99.200	78	250	2
27008678__P	HB 125 T4 18,5kW (A7:8)	1465	35,6	18,5	73.800	87	253	2
27009674__P	HB 125 T4 22kW (A7:4)	1470	40,1	22	105.000	75	247	2
27009678__P	HB 125 T4 22kW (A7:8)	1470	40,1	22	81.800	86	254	2
27010674__P	HB 125 T4 30kW (A7:4)	1475	56,3	30	117.000	75	298	2
27010678__P	HB 125 T4 30kW (A7:8)	1475	56,3	30	99.200	85	305	2
27011674__P	HB 125 T4 37kW (A7:4)	1475	69,2	37	127.000	76	383	2
27012678__P	HB 125 T4 37kW (A7:8)	1475	69,2	37	114.000	82	430	2
27012678__P	HB 125 T4 45kW (A7:8)	1475	80,7	45	129.000	79	430	2

THREE-PHASE MOTOR / 6 poles

Code	Model	R.P.M.	Rated I. (A) 400V	Rated power kW	Max. Airflow m3/h	Sound db (A)*	Weight Kg	Connect. diagram
------	-------	--------	-------------------	----------------	-------------------	---------------	-----------	------------------

Code	Model	R.P.M.	Rated I. (A) 400V	Rated power kW	Max. Airflow m3/h	Sound db (A)*	Weight Kg	Connect. diagram
26044606__P	HB 40 T6 0,12kW (A0:6)	850	0,62	0,12	2.760	36	15	2
26049606__P	HB 45 T6 0,13kW (A0:6)	920	0,41	0,13	4.710	41	17	2
26052606__P	HB 50 T6 0,13kW (A0:6)	920	0,41	0,13	6.040	43	19	2
26056656__P	HB 56 T6 0,25kW (A5:6)	900	0,92	0,25	7.700	50	41	2
26057656__P	HB 56 T6 0,37kW (A5:6)	900	1,27	0,37	8.770	48	41	2
26054626__P	HB 56 T6 0,55kW (A2:6)	900	1,8	0,55	9.000	47	41	2
26054629__P	HB 56 T6 0,55kW (A2:9)	900	1,8	0,55	9.510	48	45	2
26063656__P	HB 63 T6 0,37kW (A5:6)	900	1,27	0,37	10.760	49	43	2
26062626__P	HB 63 T6 0,55kW (A2:6)	900	1,8	0,55	13.000	49	45	2
26062629__P	HB 63 T6 0,55kW (A2:9)	900	1,8	0,55	11.900	51	48	2
26062656__P	HB 63 T6 0,55kW (A5:6)	900	1,8	0,55	12.050	50	44	2
26065629__P	HB 63 T6 0,75kW (A2:9)	910	1,95	0,75	14.100	50	49	2
26071626__P	HB 71 T6 0,55kW (A2:6)	900	1,8	0,55	15.500	53	46	2
26071629__P	HB 71 T6 0,55kW (A2:9)	900	1,8	0,55	12.700	56	48	2
26072626__P	HB 71 T6 0,75kW (A2:6)	910	1,95	0,75	18.100	51	46	2
26072629__P	HB 71 T6 0,75kW (A2:9)	910	1,95	0,75	16.400	53	48	2
26072656__P	HB 71 T6 0,75kW (A5:6)	910	1,95	0,75	16.250	57	47	2
26073629__P	HB 71 T6 1,1kW (A2:9)	910	2,78	1,1	19.600	53	51	2
26080626__P	HB 80 T6 0,75kW (A2:6)	910	1,95	0,75	19.500	54	57	2
26080629__P	HB 80 T6 0,75kW (A2:9)	910	1,95	0,75	17.100	61	59	2
26080656__P	HB 80 T6 0,75kW (A5:6)	910	1,95	0,75	18.300	59	57	2
26081626__P	HB 80 T6 1,1kW (A2:6)	910	2,78	1,1	23.400	53	59	2
26081629__P	HB 80 T6 1,1kW (A2:9)	910	2,78	1,1	20.700	57	62	2
26081656__P	HB 80 T6 1,1kW (A5:6)	910	2,78	1,1	20.550	57	59	2
26082626__P	HB 80 T6 1,5kW (A2:6)	940	3,71	1,5	25.300	53	61	2
26082629__P	HB 80 T6 1,5kW (A2:9)	940	3,71	1,5	24.800	56	63	2
26082656__P	HB 80 T6 1,5kW (A5:6)	940	3,71	1,5	22.970	56	60	2
26083629__P	HB 80 T6 2,2kW (A2:9)	940	5,94	2,2	27.100	55	64	2
26083656__P	HB 80 T6 2,2kW (A5:6)	940	5,94	2,2	25.190	56	62	2
26091663__P	HB 90 T6 1,5kW (A6:3)	940	3,71	1,5	26.800	58	65	2
26091666__P	HB 90 T6 1,5kW (A6:6)	940	3,71	1,5	23.500	62	68	2
26092663__P	HB 90 T6 2,2kW (A6:3)	940	5,94	2,2	31.100	61	70	2
26092666__P	HB 90 T6 2,2kW (A6:6)	940	5,94	2,2	28.100	63	73	2
26093663__P	HB 90 T6 3kW (A6:3)	960	7,3	3	32.200	61	87	2
26093666__P	HB 90 T6 3kW (A6:6)	960	7,3	3	33.400	62	91	2
26094666__P	HB 90 T6 4kW (A6:6)	960	9,46	4	36.600	61	97	2
26010663__P	HB 100 T6 1,5kW (A6:3)	940	3,71	1,5	31.500	60	78	2
26011663__P	HB 100 T6 2,2kW (A6:3)	940	5,94	2,2	37.900	59	80	2
26011666__P	HB 100 T6 2,2kW (A6:6)	940	5,94	2,2	31.300	67	86	2

Code	Model	R.P.M.	Rated I. (A) 400V	Rated power kW	Max. Airflow m3/h	Sound db (A)*	Weight Kg	Connect. diagram
26012663__P	HB 100 T6 3kW (A6:3)	960	7,3	3	40.800	61	97	2
26012666__P	HB 100 T6 3kW (A6:6)	960	7,3	3	36.400	67	104	2
26013663__P	HB 100 T6 4kW (A6:3)	960	9,46	4	43.500	62	107	2
26013666__P	HB 100 T6 4kW (A6:6)	960	9,46	4	41.100	67	110	2
26014666__P	HB 100 T6 5,5kW (A6:6)	960	12,8	5,5	48.700	64	114	2
26015666__P	HB 100 T6 7,5kW (A6:6)	965	15,2	7,5	50.700	65	140	2
26020663__P	HB 112 T6 2,2kW (A6:3)	940	5,94	2,2	41.000	64	99	2
26020666__P	HB 112 T6 2,2kW (A6:6)	940	5,94	2,2	32.500	69	100	2
26021663__P	HB 112 T6 3kW (A6:3)	960	7,3	3	49.400	64	115	2
26021666__P	HB 112 T6 3kW (A6:6)	960	7,3	3	39.800	68	118	2
26022663__P	HB 112 T6 4kW (A6:3)	960	9,46	4	54.200	64	121	2
26022666__P	HB 112 T6 4kW (A6:6)	960	9,46	4	47.100	68	128	2
26023663__P	HB 112 T6 5,5kW (A6:3)	960	12,8	5,5	58.200	65	124	2
26023666__P	HB 112 T6 5,5kW (A6:6)	960	12,8	5,5	53.900	67	131	2
26024666__P	HB 112 T6 7,5kW (A6:6)	965	15,2	7,5	64.100	67	183	2
26025666__P	HB 112 T6 11kW (A6:6)	970	22,6	11	67.300	68	198	2
27002674__P	HB 125 T6 3kW (A7:4)	960	7,3	3	46.300	73	130	2
27003674__P	HB 125 T6 4kW (A7:4)	960	9,46	4	55.600	71	140	2
27004674__P	HB 125 T6 5,5kW (A7:4)	960	12,8	5,5	64.300	68	145	2
27004678__P	HB 125 T6 5,5kW (A7:8)	960	12,8	5,5	47.800	79	149	2
27005674__P	HB 125 T6 7,5kW (A7:4)	965	15,2	7,5	75.700	65	198	2
27005678__P	HB 125 T6 7,5kW (A7:8)	965	15,2	7,5	58.600	77	207	2
27006674__P	HB 125 T6 11kW (A7:4)	970	22,6	11	82.400	66	215	2
27006678__P	HB 125 T6 11kW (A7:8)	970	22,6	11	78.900	74	224	2
27007678__P	HB 125 T6 15kW (A7:8)	970	27,7	15	93.300	69	264	2

2 SPEED MOTOR / 4/8 poles

Code	Model	R.P.M.	Rated I. (A) 400V	Rated power kW	Max. Airflow m3/h	Sound db (A)*	Weight Kg	Connect. diagram
26045606__PV	HB 45 T4/T8 0,33/0,04kW (A0:6)	1360/650	1,5/0,5	0,33/0,04	6.605	53	15	3
26050606__PV	HB 50 T4/T8 0,55/0,09kW (A0:6)	1410/710	2/0,5	0,55/0,09	9.320	52	21	3
26057656__PV	HB 56 T4/T8 0,33/0,04kW (A5:6)	1360/650	1,5/0,5	0,33/0,04	7.230	58	42	3
26058626__PV	HB 56 T4/T8 0,55/0,09kW (A2:6)	1410/710	2/0,5	0,55/0,09	8.290	56	42	3
26058629__PV	HB 56 T4/T8 0,55/0,09kW (A2:9)	1410/710	2/0,5	0,55/0,09	6.590	56	42	3
26058656__PV	HB 56 T4/T8 0,55/0,09kW (A5:6)	1410/710	2/0,5	0,55/0,09	8.680	58	43	3
26059626__PV	HB 56 T4/T8 0,75/0,12kW (A2:6)	1430/710	1,8/1	0,75/0,12	10.500	55	48	3
26059629__PV	HB 56 T4/T8 0,75/0,12kW (A2:9)	1430/710	1,8/1	0,75/0,12	8.170	56	48	3

Code	Model	R.P.M.	Rated I. (A) 400V	Rated power kW	Max. Airflow m3/h	Sound db (A)*	Weight Kg	Connect. diagram
26059656__PV	HB 56 T4/T8 0,75/0,12kW (A5:6)	1430/710	1,8/1	0,75/0,12	10.810	59	44	3
26060626__PV	HB 56 T4/T8 1,1/0,18kW (A2:6)	1400/710	3/0,8	1,1/0,18	12.900	55	45	3
26060629__PV	HB 56 T4/T8 1,1/0,18kW (A2:9)	1400/710	3/0,8	1,1/0,18	11.700	57	48	3
26060656__PV	HB 56 T4/T8 1,1/0,18kW (A5:6)	1400/710	3/0,8	1,1/0,18	12.520	56	45	3
26061626__PV	HB 56 T4/T8 1,5/0,25kW (A2:6)	1380/700	4/1,5	1,5/0,25	13.900	56	48	3
26061629__PV	HB 56 T4/T8 1,5/0,25kW (A2:9)	1380/700	4/1,5	1,5/0,25	13.600	57	50	3
26061656__PV	HB 56 T4/T8 1,5/0,25kW (A5:6)	1380/700	4/1,5	1,5/0,25	13.560	57	47	3
26064626__PV	HB 63 T4/T8 0,55/0,09kW (A2:6)	1410/710	2/0,5	0,55/0,09	9.020	54	47	3
26065626__PV	HB 63 T4/T8 0,75/0,12kW (A2:6)	1430/710	1,8/1	0,75/0,12	11.400	57	48	3
26065629__PV	HB 63 T4/T8 0,75/0,12kW (A2:9)	1430/710	1,8/1	0,75/0,12	9.120	59	49	3
26065656__PV	HB 63 T4/T8 0,75/0,12kW (A5:6)	1430/710	1,8/1	0,75/0,12	12.020	60	45	3
26066626__PV	HB 63 T4/T8 1,1/0,18kW (A2:6)	1400/710	3/0,8	1,1/0,18	15.000	57	48	3
26066629__PV	HB 63 T4/T8 1,1/0,18kW (A2:9)	1400/710	3/0,8	1,1/0,18	13.500	59	50	3
26066656__PV	HB 63 T4/T8 1,1/0,18kW (A5:6)	1400/710	3/0,8	1,1/0,18	14.740	61	49	3
26067626__PV	HB 63 T4/T8 1,5/0,25kW (A2:6)	1380/700	4/1,5	1,5/0,25	18.300	57	46	3
26067629__PV	HB 63 T4/T8 1,5/0,25kW (A2:9)	1380/700	4/1,5	1,5/0,25	15.700	60	49	3
26067656__PV	HB 63 T4/T8 1,5/0,25kW (A5:6)	1380/700	4/1,5	1,5/0,25	16.610	59	51	3
26068626__PV	HB 63 T4/T8 2,2/0,37kW (A2:6)	1430/720	4/1,25	2,2/0,37	20.100	58	47	3
26068629__PV	HB 63 T4/T8 2,2/0,37kW (A2:9)	1430/720	4/1,25	2,2/0,37	20.300	60	50	3
26068656__PV	HB 63 T4/T8 2,2/0,37kW (A5:6)	1430/720	4/1,25	2,2/0,37	18.630	59	52	3
26069629__PV	HB 63 T4/T8 3/0,55kW (A2:9)	1420/710	6,6/18	3/0,55	21.800	60	57	3
26072626__PV	HB 71 T4/T8 0,75/0,12kW (A2:6)	1430/710	1,8/1	0,75/0,12	12.000	63	50	3
26072656__PV	HB 71 T4/T8 0,75/0,12kW (A5:6)	1430/710	1,8/1	0,75/0,12	13.630	65	51	3
26073626__PV	HB 71 T4/T8 1,1/0,18kW (A2:6)	1400/710	3/0,8	1,1/0,18	15.500	62	51	3
26073629__PV	HB 71 T4/T8 1,1/0,18kW (A2:9)	1400/710	3/0,8	1,1/0,18	12.100	65	54	3
26073656__PV	HB 71 T4/T8 1,1/0,18kW (A5:6)	1400/710	3/0,8	1,1/0,18	16.800	64	53	3
26074626__PV	HB 71 T4/T8 1,5/0,25kW (A2:6)	1380/700	4/1,5	1,5/0,25	20.800	61	52	3
26074629__PV	HB 71 T4/T8 1,5/0,25kW (A2:9)	1380/700	4/1,5	1,5/0,25	15.700	64	53	3
26074656__PV	HB 71 T4/T8 1,5/0,25kW (A5:6)	1380/700	4/1,5	1,5/0,25	19.960	63	55	3
26075626__PV	HB 71 T4/T8 2,2/0,37kW (A2:6)	1430/720	4/1,25	2,2/0,37	25.300	60	57	3
26075629__PV	HB 71 T4/T8 2,2/0,37kW (A2:9)	1430/720	4/1,25	2,2/0,37	21.600	63	58	3
26075656__PV	HB 71 T4/T8 2,2/0,37kW (A5:6)	1430/720	4/1,25	2,2/0,37	23.200	62	60	3
26076626__PV	HB 71 T4/T8 3/0,55kW (A2:6)	1420/710	6,6/18	3/0,55	27.900	60	59	3
26076629__PV	HB 71 T4/T8 3/0,55kW (A2:9)	1420/710	6,6/18	3/0,55	25.300	63	60	3
26076656__PV	HB 71 T4/T8 3/0,55kW (A5:6)	1420/710	6,6/18	3/0,55	25.160	65	62	3
26081626__PV	HB 80 T4/T8 1,1/0,18kW (A2:6)	1400/710	3/0,8	1,1/0,18	15.400	63	55	3
26082626__PV	HB 80 T4/T8 1,5/0,25kW (A2:6)	1380/700	4/1,5	1,5/0,25	20.300	63	56	3
26082629__PV	HB 80 T4/T8 1,5/0,25kW (A2:9)	1380/700	4/1,5	1,5/0,25	16.200	71	56	3
26083626__PV	HB 80 T4/T8 2,2/0,37kW (A2:6)	1430/720	4/1,25	2,2/0,37	27.900	63	57	3

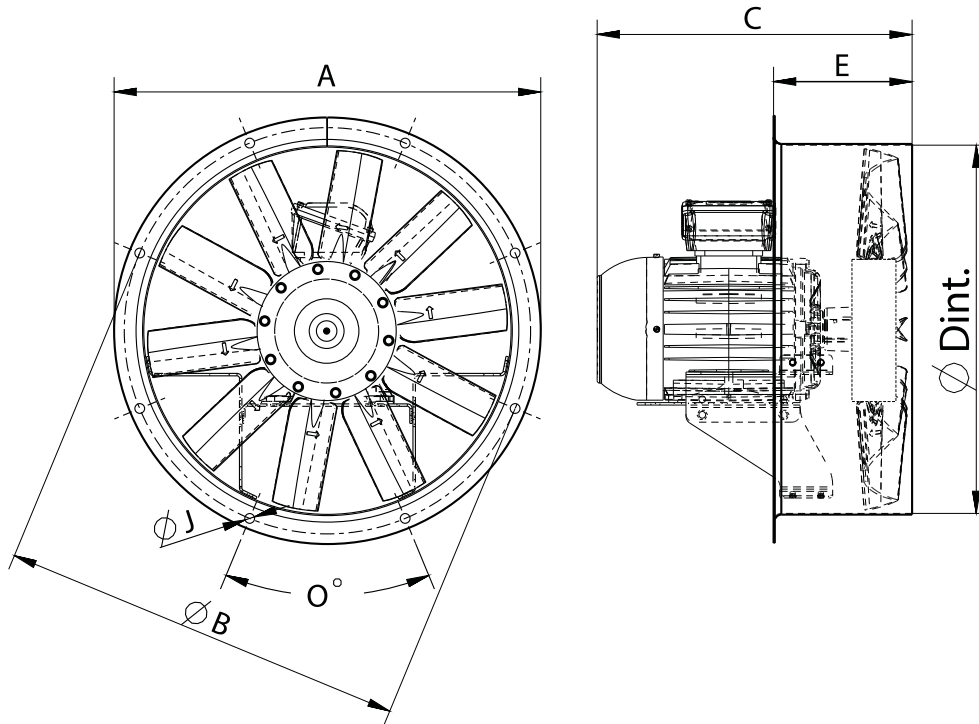
Code	Model	R.P.M.	Rated I. (A) 400V	Rated power kW	Max. Airflow m3/h	Sound db (A)*	Weight Kg	Connect. diagram
26083629__PV	HB 80 T4/T8 2,2/0,37kW (A2:9)	1430/720	4/1,25	2,2/0,37	21.200	69	58	3
26084626__PV	HB 80 T4/T8 3/0,55kW (A2:6)	1420/710	6,6/18	3/0,55	32.500	63	62	3
26084629__PV	HB 80 T4/T8 3/0,55kW (A2:9)	1420/710	6,6/18	3/0,55	26.400	68	63	3
26084656__PV	HB 80 T4/T8 3/0,55kW (A5:6)	1420/710	6,6/18	3/0,55	31.090	68	67	3
26085626__PV	HB 80 T4/T8 4/0,75kW (A2:6)	1440/720	8,5/21,8	4/0,75	36.100	62	78	3
26085629__PV	HB 80 T4/T8 4/0,75kW (A2:9)	1440/720	8,5/21,8	4/0,75	29.100	67	78	3
26085656__PV	HB 80 T4/T8 4/0,75kW (A5:6)	1440/720	8,5/21,8	4/0,75	34.000	65	78	3
26086626__PV	HB 80 T4/T8 5,5/1,1kW (A2:6)	1450/720	11/27,2	5,5/1,1	39.000	62	80	3
26086629__PV	HB 80 T4/T8 5,5/1,1kW (A2:9)	1450/720	11/27,2	5,5/1,1	36.700	66	80	3
26093663__PV	HB 90 T4/T8 3/0,55kW (A6:3)	1420/710	6,6/18	3/0,55	30.700	63	70	3
26094663__PV	HB 90 T4/T8 4/0,75kW (A6:3)	1440/720	8,5/21,8	4/0,75	37.700	66	75	3
26095663__PV	HB 90 T4/T8 5,5/1,1kW (A6:3)	1450/720	11/27,2	5,5/1,1	41.400	68	84	3
26095666__PV	HB 90 T4/T8 5,5/1,1kW (A6:6)	1450/720	11/27,2	5,5/1,1	33.400	71	85	3
26096663__PV	HB 90 T4/T8 7,5/1,5kW (A6:3)	1450/720	15/4	7,5/1,5	45.700	69	101	3
26096666__PV	HB 90 T4/T8 7,5/1,5kW (A6:6)	1450/720	15/4	7,5/1,5	40.800	72	106	3
26097663__PV	HB 90 T4/T8 11/3kW (A6:3)	1460/720	22/8,5	11/3	49.700	71	146	3
26097666__PV	HB 90 T4/T8 11/3kW (A6:6)	1460/720	22/8,5	11/3	48.700	73	149	3
26097666__PV	HB 90 T4/T8 15/3,5kW (A6:6)	1460/720	29,5/11,5	15/3,5	56.500	70	156	3
26014663__PV	HB 100 T4/T8 5,5/1,1kW (A6:3)	1450/720	11/27,2	5,5/1,1	48.700	69	98	3
26015663__PV	HB 100 T4/T8 7,5/1,5kW (A6:3)	1450/720	15/4	7,5/1,5	55.500	68	112	3
26015666__PV	HB 100 T4/T8 7,5/1,5kW (A6:6)	1450/720	15/4	7,5/1,5	44.200	76	115	3
26016663__PV	HB 100 T4/T8 11/3kW (A6:3)	1460/720	22/8,5	11/3	63.000	70	157	3
26016666__PV	HB 100 T4/T8 11/3kW (A6:6)	1460/720	22/8,5	11/3	56.200	77	160	3
26016663__PV	HB 100 T4/T8 15/3,5kW (A6:3)	1460/720	29,5/11,5	15/3,5	67.100	72	152	3
26016666__PV	HB 100 T4/T8 15/3,5kW (A6:6)	1460/720	29,5/11,5	15/3,5	63.500	76	157	3
26018666__PV	HB 100 T4/T8 17/4,3kW (A6:6)	1475/730	33,4/12,7	17/4,3	71.200	73	181	3
26019666__PV	HB 100 T4/T8 20/5kW (A6:6)	1470/730	38,6/14,1	20/5	75.200	73	221	3
26023663__PV	HB 112 T4/T8 5,5/1,1kW (A6:3)	1450/720	11/27,2	5,5/1,1	52.700	73	115	3
26024663__PV	HB 112 T4/T8 7,5/1,5kW (A6:3)	1450/720	15/4	7,5/1,5	63.400	74	125	3
26025663__PV	HB 112 T4/T8 11/3kW (A6:3)	1460/720	22/8,5	11/3	72.600	74	149	3
26025666__PV	HB 112 T4/T8 11/3kW (A6:6)	1460/720	22/8,5	11/3	55.700	78	154	3
26026663__PV	HB 112 T4/T8 15/3,5kW (A6:3)	1460/720	29,5/11,5	15/3,5	83.600	73	163	3
26026666__PV	HB 112 T4/T8 15/3,5kW (A6:6)	1460/720	29,5/11,5	15/3,5	72.700	78	168	3
26027663__PV	HB 112 T4/T8 17/4,3kW (A6:3)	1475/730	33,4/12,7	17/4,3	87.300	74	183	3
26027666__PV	HB 112 T4/T8 17/4,3kW (A6:6)	1475/730	33,4/12,7	17/4,3	77.900	77	188	3
26028663__PV	HB 112 T4/T8 20/5kW (A6:3)	1470/730	38,6/14,1	20/5	89.800	74	220	3
26028666__PV	HB 112 T4/T8 20/5kW (A6:6)	1470/730	38,6/14,1	20/5	83.100	76	225	3
26029666__PV	HB 112 T4/T8 28/6,5kW (A6:6)	1480/735	52/18	28/6,5	98.900	77	226	3
26030666__PV	HB 112 T4/T8 35/8kW (A6:6)	1470/730	67,3/21,8	35/8	104.000	78	350	3

Code	Model	R.P.M.	Rated I. (A) 400V	Rated power kW	Max. Airflow m ³ /h	Sound db (A)*	Weight Kg	Connect. diagram
27006674__PV	HB 125 T4/T8 11/3kW (A7:4)	1460/720	22/8,5	11/3	71.400	83	187	3
27006674__PV	HB 125 T4/T8 15/3,5kW (A7:4)	1460/720	29,5/11,5	15/3,5	85.800	81	205	3
27006678__PV	HB 125 T4/T8 15/3,5kW (A7:8)	1460/720	29,5/11,5	15/3,5	66.300	89	210	3
27008674__PV	HB 125 T4/T8 17/4,3kW (A7:4)	1475/730	33,4/12,7	17/4,3	93.200	78	205	3
27009674__PV	HB 125 T4/T8 20/5kW (A7:4)	1470/730	38,6/14,1	20/5	99.200	76	246	3
27009678__PV	HB 125 T4/T8 20/5kW (A7:8)	1470/730	38,6/14,1	20/5	73.800	87	253	3
27010674__PV	HB 125 T4/T8 28/6,5kW (A7:4)	1480/735	52/18	28/6,5	117.000	75	247	3
27010678__PV	HB 125 T4/T8 28/6,5kW (A7:8)	1480/735	52/18	28/6,5	90.500	86	254	3
27011674__PV	HB 125 T4/T8 35/8kW (A7:4)	1470/730	67,3/21,8	35/8	127.000	76	383	3
27011678__PV	HB 125 T4/T8 35/8kW (A7:8)	1470/730	67,3/21,8	35/8	107.000	84	388	3
27011678__PV	HB 125 T4/T8 37/9,2kW (A7:8)	1485/740	74,2/25,4	37/9,2	114.000	80	391	3
27012678__PV	HB 125 T4/T8 44/11kW (A7:8)	1480/740	80,2/27,2	44/11	122.000	79	430	3

Notes:

* Total sound pressure level at the point of maximum flow measured in dB(A) in the suction measured in free field at a distance of 6m from the source

DIMENSIONS DIAGRAM



Model	$\varnothing A$	$\varnothing B$	C	$\varnothing Dint$	E	$\varnothing J$	O
HB 35 M2 0,55kW (A0:6)	434	395	306	365	150	10	8x45°
HB 35 M2 1,1kW (A0:6)	434	395	335	365	150	10	8x45°
HB 35 M4 0,12kW (A0:6)	434	395	303	365	150	10	8x45°
HB 35 T2 0,55kW (A0:6)	434	395	306	365	150	10	8x45°
HB 35 T2 1,1kW (A0:6)	434	395	335	365	150	10	8x45°
HB 35 T4 0,12kW (A0:6)	434	395	303	365	150	10	8x45°
HB 40 M4 0,25kW (A0:6)	472	450	301	403	150	10	8x45°
HB 40 M6 0,04kW (A0:6)	472	450	303	403	150	10	8x45°
HB 40 T2 1,1kW (A0:6)	472	450	335	403	150	10	8x45°
HB 40 T4 0,25kW (A0:6)	472	450	301	403	150	10	8x45°
HB 40 T6 0,12kW (A0:6)	472	450	303	403	150	10	8x45°
HB 45 M4 0,37kW (A0:6)	525	500	328	452	165	12	8x45°
HB 45 M6 0,13kW (A0:6)	525	500	347	452	165	12	8x45°
HB 45 T2 1,5kW (A0:6)	525	500	387	452	165	12	8x45°
HB 45 T2 2,2kW (A0:6)	525	500	387	452	165	12	8x45°
HB 45 T4 0,55kW (A0:6)	525	500	347	452	165	12	8x45°
HB 45 T6 0,13kW (A0:6)	525	500	347	452	165	12	8x45°
HB 45 T4/T8 0,33/0,04kW (A0:6)	525	500	328	452	165	12	8x45°
HB 50 M4 0,55kW (A0:6)	600	560	352	504	165	12	12x30°

Model	ØA	ØB	C	ØDint	E	ØJ	O
HB 50 M6 0,13kW (A0:6)	600	560	352	504	165	12	12x30°
HB 50 T4 0,55kW (A0:6)	600	560	352	504	165	12	12x30°
HB 50 T6 0,13kW (A0:6)	600	560	352	504	165	12	12x30°
HB 50 T4/T8 0,55/0,09kW (A0:6)	600	560	352	504	165	12	12x30°
HB 56 M4 0,37kW (A5:6)	646	620	338	559	175	12	12x30°
HB 56 M4 0,55kW (A2:6)	646	620	352	559	175	12	12x30°
HB 56 M4 0,55kW (A5:6)	646	620	352	559	175	12	12x30°
HB 56 M6 0,25kW (A2:6)	646	620	338	559	175	12	12x30°
HB 56 M6 0,25kW (A5:6)	646	620	338	559	175	12	12x30°
HB 56 M6 0,37kW (A2:6)	646	620	352	559	175	12	12x30°
HB 56 M6 0,37kW (A5:6)	646	620	352	559	175	12	12x30°
HB 56 T4 0,37kW (A5:6)	646	620	338	559	175	12	12x30°
HB 56 T4 0,55kW (A2:6)	646	620	352	559	175	12	12x30°
HB 56 T4 0,55kW (A2:9)	646	620	352	559	175	12	12x30°
HB 56 T4 0,55kW (A5:6)	646	620	352	559	175	12	12x30°
HB 56 T4 0,75kW (A2:6)	646	620	352	559	175	12	12x30°
HB 56 T4 0,75kW (A2:9)	646	620	352	559	175	12	12x30°
HB 56 T4 0,75kW (A5:6)	646	620	352	559	175	12	12x30°
HB 56 T4 1,1kW (A2:6)	646	620	362	559	175	12	12x30°
HB 56 T4 1,1kW (A2:9)	646	620	362	559	175	12	12x30°
HB 56 T4 1,1kW (A5:6)	646	620	362	559	175	12	12x30°
HB 56 T4 1,5kW (A2:6)	646	620	387	559	175	12	12x30°
HB 56 T4 1,5kW (A2:9)	646	620	387	559	175	12	12x30°
HB 56 T4 1,5kW (A5:6)	646	620	387	559	175	12	12x30°
HB 56 T6 0,25kW (A5:6)	646	620	338	559	175	12	12x30°
HB 56 T6 0,37kW (A5:6)	646	620	352	559	175	12	12x30°
HB 56 T6 0,55kW (A2:6)	646	620	352	559	175	12	12x30°
HB 56 T6 0,55kW (A2:9)	646	620	352	559	175	12	12x30°
HB 56 T4/T8 0,33/0,04kW (A5:6)	646	620	338	559	175	12	12x30°
HB 56 T4/T8 0,55/0,09kW (A2:6)	646	620	352	559	175	12	12x30°
HB 56 T4/T8 0,55/0,09kW (A2:9)	646	620	352	559	175	12	12x30°
HB 56 T4/T8 0,55/0,09kW (A5:6)	646	620	352	559	175	12	12x30°
HB 56 T4/T8 0,75/0,12kW (A2:6)	646	620	352	559	175	12	12x30°
HB 56 T4/T8 0,75/0,12kW (A2:9)	646	620	352	559	175	12	12x30°
HB 56 T4/T8 0,75/0,12kW (A5:6)	646	620	352	559	175	12	12x30°
HB 56 T4/T8 1,1/0,18kW (A2:6)	646	620	362	559	175	12	12x30°
HB 56 T4/T8 1,1/0,18kW (A2:9)	646	620	362	559	175	12	12x30°
HB 56 T4/T8 1,1/0,18kW (A5:6)	646	620	362	559	175	12	12x30°
HB 56 T4/T8 1,5/0,25kW (A2:6)	646	620	387	559	175	12	12x30°
HB 56 T4/T8 1,5/0,25kW (A2:9)	646	620	387	559	175	12	12x30°

Model	ØA	ØB	C	ØDint	E	ØJ	O
HB 56 T4/T8 1,5/0,25kW (A5:6)	646	620	387	559	175	12	12x30°
HB 63 M6 0,37kW (A5:6)	725	690	352	633	185	12	12x30°
HB 63 M6 0,55kW (A2:9)	725	690	352	633	185	12	12x30°
HB 63 M6 0,55kW (A5:6)	725	690	352	633	185	12	12x30°
HB 63 T4 0,55kW (A2:6)	725	690	352	633	185	12	12x30°
HB 63 T4 0,75kW (A2:6)	725	690	352	633	185	12	12x30°
HB 63 T4 0,75kW (A2:9)	725	690	352	633	185	12	12x30°
HB 63 T4 0,75kW (A5:6)	725	690	352	633	185	12	12x30°
HB 63 T4 1,1kW (A2:6)	725	690	386	633	185	12	12x30°
HB 63 T4 1,1kW (A2:9)	725	690	386	633	185	12	12x30°
HB 63 T4 1,1kW (A5:6)	725	690	386	633	185	12	12x30°
HB 63 T4 1,5kW (A2:6)	725	690	411	633	185	12	12x30°
HB 63 T4 1,5kW (A2:9)	725	690	411	633	185	12	12x30°
HB 63 T4 1,5kW (A5:6)	725	690	411	633	185	12	12x30°
HB 63 T4 2,2kW (A2:6)	725	690	627	633	185	12	12x30°
HB 63 T4 2,2kW (A2:9)	725	690	627	633	185	12	12x30°
HB 63 T4 2,2kW (A5:6)	725	690	627	633	185	12	12x30°
HB 63 T4 3kW (A2:9)	725	690	627	633	185	12	12x30°
HB 63 T6 0,37kW (A5:6)	725	690	352	633	185	12	12x30°
HB 63 T6 0,55kW (A2:6)	725	690	352	633	185	12	12x30°
HB 63 T6 0,55kW (A2:9)	725	690	352	633	185	12	12x30°
HB 63 T6 0,55kW (A5:6)	725	690	352	633	185	12	12x30°
HB 63 T6 0,75kW (A2:9)	725	690	386	633	185	12	12x30°
HB 63 T4/T8 0,55/0,09kW (A2:6)	725	690	352	633	185	12	12X30°
HB 63 T4/T8 0,75/0,12kW (A2:6)	725	690	352	633	185	12	12X30°
HB 63 T4/T8 0,75/0,12kW (A2:9)	725	690	352	633	185	12	12X30°
HB 63 T4/T8 0,75/0,12kW (A5:6)	725	690	352	633	185	12	12x30°
HB 63 T4/T8 1,1/0,18kW (A2:6)	725	690	386	633	185	12	12X30°
HB 63 T4/T8 1,1/0,18kW (A2:9)	725	690	386	633	185	12	12X30°
HB 63 T4/T8 1,1/0,18kW (A5:6)	725	690	386	633	185	12	12x30°
HB 63 T4/T8 1,5/0,25kW (A2:6)	725	690	411	633	185	12	12X30°
HB 63 T4/T8 1,5/0,25kW (A2:9)	725	690	411	633	185	12	12X30°
HB 63 T4/T8 1,5/0,25kW (A5:6)	725	690	411	633	185	12	12x30°
HB 63 T4/T8 2,2/0,37kW (A2:6)	725	690	442	633	185	12	12X30°
HB 63 T4/T8 2,2/0,37kW (A2:9)	725	690	442	633	185	12	12X30°
HB 63 T4/T8 2,2/0,37kW (A5:6)	725	690	627	633	185	12	12x30°
HB 63 T4/T8 3/0,55kW (A2:9)	725	690	442	633	185	12	12X30°
HB 71 M6 0,55kW (A2:6)	802	770	357	715	190	12	16x22,5°
HB 71 M6 0,55kW (A2:9)	802	770	357	715	190	12	16x22,5°
HB 71 T4 0,75kW (A2:6)	802	770	357	715	190	12	16x22,5°

Model	ØA	ØB	C	ØDint	E	ØJ	O
HB 71 T4 0,75kW (A5:6)	802	770	357	715	190	12	16x22,5°
HB 71 T4 1,1kW (A2:6)	802	770	357	715	190	12	16X22,5°
HB 71 T4 1,1kW (A2:9)	802	770	391	715	190	12	16x22,5°
HB 71 T4 1,1kW (A5:6)	802	770	391	715	190	12	16x22,5°
HB 71 T4 1,5kW (A2:6)	802	770	416	715	190	12	16x22,5°
HB 71 T4 1,5kW (A2:9)	802	770	416	715	190	12	16x22,5°
HB 71 T4 1,5kW (A5:6)	802	770	416	715	190	12	16x22,5°
HB 71 T4 2,2kW (A2:6)	802	770	447	715	190	12	16x22,5°
HB 71 T4 2,2kW (A2:9)	802	770	447	715	190	12	16x22,5°
HB 71 T4 2,2kW (A5:6)	802	770	447	715	190	12	16x22,5°
HB 71 T4 3kW (A2:6)	802	770	447	715	190	12	16x22,5°
HB 71 T4 3kW (A2:9)	802	770	447	715	190	12	16x22,5°
HB 71 T4 3kW (A5:6)	802	770	447	715	190	12	16x22,5°
HB 71 T6 0,55kW (A2:6)	802	770	357	715	190	12	16x22,5°
HB 71 T6 0,55kW (A2:9)	802	770	357	715	190	12	16x22,5°
HB 71 T6 0,75kW (A2:6)	802	770	391	715	190	12	16x22,5°
HB 71 T6 0,75kW (A2:9)	802	770	391	715	190	12	16x22,5°
HB 71 T6 0,75kW (A5:6)	802	770	391	715	190	12	16x22,5°
HB 71 T6 1,1kW (A2:9)	802	770	416	715	190	12	16x22,5°
HB 71 T4/T8 0,75/0,12kW (A2:6)	802	770	357	715	190	12	16X22,5°
HB 71 T4/T8 0,75/0,12kW (A5:6)	802	770	357	715	190	12	16x22,5°
HB 71 T4/T8 1,1/0,18kW (A2:6)	802	770	357	715	190	12	16X22,5°
HB 71 T4/T8 1,1/0,18kW (A2:9)	802	770	391	715	190	12	16X22,5°
HB 71 T4/T8 1,1/0,18kW (A5:6)	802	770	391	715	190	12	16x22,5°
HB 71 T4/T8 1,5/0,25kW (A2:6)	802	770	416	715	190	12	16X22,5°
HB 71 T4/T8 1,5/0,25kW (A2:9)	802	770	416	715	190	12	16X22,5°
HB 71 T4/T8 1,5/0,25kW (A5:6)	802	770	416	715	190	12	16x22,5°
HB 71 T4/T8 2,2/0,37kW (A2:6)	802	770	447	715	190	12	16X22,5°
HB 71 T4/T8 2,2/0,37kW (A2:9)	802	770	447	715	190	12	16X22,5°
HB 71 T4/T8 2,2/0,37kW (A5:6)	802	770	447	715	190	12	16x22,5°
HB 71 T4/T8 3/0,55kW (A2:6)	802	770	447	715	190	12	16X22,5°
HB 71 T4/T8 3/0,55kW (A2:9)	802	770	447	715	190	12	16X22,5°
HB 71 T4/T8 3/0,55kW (A5:6)	802	770	447	715	190	12	16x22,5°
HB 80 T4 1,1KW (A2:6)	892	860	427	801	220	12	16x22,5°
HB 80 T4 1,5KW (A2:6)	892	860	427	801	220	12	16x22,5°
HB 80 T4 1,5KW (A2:9)	892	860	427	801	220	12	16x22,5°
HB 80 T4 2,2kW (A2:6)	892	860	463	801	220	12	16x22,5°
HB 80 T4 2,2kW (A2:9)	892	860	469	801	220	12	16x22,5°
HB 80 T4 3kW (A2:6)	892	860	463	801	220	12	16x22,5°
HB 80 T4 3kW (A2:9)	892	860	525	801	220	12	16x22,5°

Model	ØA	ØB	C	ØDint	E	ØJ	O
HB 80 T4 3kW (A5:6)	892	860	463	801	220	12	16x22,5°
HB 80 T4 4kW (A2:6)	892	860	469	801	220	12	16x22,5°
HB 80 T4 4kW (A2:9)	892	860	469	801	220	12	16x22,5°
HB 80 T4 4kW (A5:6)	892	860	469	801	220	12	16x22,5°
HB 80 T4 5,5kW (A2:6)	892	860	525	801	220	12	16x22,5°
HB 80 T4 5,5kW (A2:9)	892	860	525	801	220	12	16x22,5°
HB 80 T6 0,75kW (A2:6)	892	860	427	801	220	12	16x22,5°
HB 80 T6 0,75kW (A2:9)	892	860	427	801	220	12	16x22,5°
HB 80 T6 0,75kW (A5:6)	892	860	427	801	220	12	16x22,5°
HB 80 T6 1,1kW (A2:6)	892	860	427	801	220	12	16x22,5°
HB 80 T6 1,1kW (A2:9)	892	860	427	801	220	12	16x22,5°
HB 80 T6 1,1kW (A5:6)	892	860	427	801	220	12	16x22,5°
HB 80 T6 1,5kW (A2:6)	892	860	463	801	220	12	16x22,5°
HB 80 T6 1,5kW (A2:9)	892	860	463	801	220	12	16x22,5°
HB 80 T6 1,5kW (A5:6)	892	860	463	801	220	12	16x22,5°
HB 80 T6 2,2kW (A2:9)	892	860	469	801	220	12	16x22,5°
HB 80 T6 2,2kW (A5:6)	892	860	469	801	220	12	16x22,5°
HB 80 T4/T8 1,1/0,18kW (A2:6)	892	860	427	801	220	12	16X22,5°
HB 80 T4/T8 1,5/0,25kW (A2:6)	892	860	427	801	220	12	16X22,5°
HB 80 T4/T8 1,5/0,25kW (A2:9)	892	860	427	801	220	12	16X22,5°
HB 80 T4/T8 2,2/0,37kW (A2:6)	892	860	463	801	220	12	16X22,5°
HB 80 T4/T8 2,2/0,37kW (A2:9)	892	860	463	801	220	12	16X22,5°
HB 80 T4/T8 3/0,55kW (A2:6)	892	860	463	801	220	12	16X22,5°
HB 80 T4/T8 3/0,55kW (A2:9)	892	860	463	801	220	12	16X22,5°
HB 80 T4/T8 3/0,55kW (A5:6)	892	860	463	801	220	12	16x22,5°
HB 80 T4/T8 4/0,75kW (A2:6)	892	860	469	801	220	12	16X22,5°
HB 80 T4/T8 4/0,75kW (A2:9)	892	860	469	801	220	12	16X22,5°
HB 80 T4/T8 4/0,75kW (A5:6)	892	860	469	801	220	12	16x22,5°
HB 80 T4/T8 5,5/1,1kW (A2:6)	892	860	525	801	220	12	16X22,5°
HB 80 T4/T8 5,5/1,1kW (A2:9)	892	860	525	801	220	12	16X22,5°
HB 90 T4 3kW (A6:3)	1000	970	658	903,5	340	12	16X22,5°
HB 90 T4 4kW (A6:3)	1000	970	658	903,5	340	12	16X22,5°
HB 90 T4 5,5kW (A6:3)	1000	970	658	903,5	340	12	16X22,5°
HB 90 T4 5,5kW (A6:6)	1000	970	658	903,5	340	12	16X22,5°
HB 90 T4 7,5kW (A6:3)	1000	970	658	903,5	340	12	16X22,5°
HB 90 T4 7,5kW (A6:6)	1000	970	658	903,5	340	12	16X22,5°
HB 90 T4 11kW (A6:3)	1000	970	721	903,5	340	12	16X22,5°
HB 90 T4 11kW (A6:6)	1000	970	721	903,5	340	12	16X22,5°
HB 90 T4 15kW (A6:6)	1000	970	742	903,5	340	12	16X22,5°
HB 90 T6 1,5kW (A6:3)	1000	970	658	903,5	340	12	16X22,5°

Model	ØA	ØB	C	ØDint	E	ØJ	O
HB 90 T6 1,5kW (A6:6)	1000	970	658	903,5	340	12	16X22,5°
HB 90 T6 2,2kW (A6:3)	1000	970	658	903,5	340	12	16X22,5°
HB 90 T6 2,2kW (A6:6)	1000	970	658	903,5	340	12	16X22,5°
HB 90 T6 3kW (A6:3)	1000	970	658	903,5	340	12	16X22,5°
HB 90 T6 3kW (A6:6)	1000	970	658	903,5	340	12	16X22,5°
HB 90 T6 4kW (A6:6)	1000	970	658	903,5	340	12	16X22,5°
HB 90 T4/T8 3/0,55kW (A6:3)	1000	970	658	903,5	340	12	16X22,5°
HB 90 T4/T8 4/0,75kW (A6:3)	1000	970	658	903,5	340	12	16X22,5°
HB 90 T4/T8 5,5/1,1kW (A6:3)	1000	970	658	903,5	340	12	16X22,5°
HB 90 T4/T8 5,5/1,1kW (A6:6)	1000	970	658	903,5	340	12	16X22,5°
HB 90 T4/T8 7,5/1,5kW (A6:3)	1000	970	658	903,5	340	12	16X22,5°
HB 90 T4/T8 7,5/1,5kW (A6:6)	1000	970	658	903,5	340	12	16X22,5°
HB 90 T4/T8 11/3kW (A6:3)	1000	970	742	903,5	340	12	16X22,5°
HB 90 T4/T8 11/3kW (A6:6)	1000	970	742	903,5	340	12	16X22,5°
HB 90 T4/T8 15/3,5kW (A6:6)	1000	970	721	903,5	340	12	16X22,5°
HB 100 T4 5,5kW (A6:3)	1115	1070	653	1013	340	12	16x22,5°
HB 100 T4 7,5kW (A6:3)	1115	1070	653	1013	340	12	16x22,5°
HB 100 T4 7,5kW (A6:6)	1115	1070	653	1013	340	12	16x22,5°
HB 100 T4 11kW (A6:3)	1115	1070	716	1013	340	12	16x22,5°
HB 100 T4 11kW (A6:6)	1115	1070	716	1013	340	12	16x22,5°
HB 100 T4 15kW (A6:3)	1115	1070	738	1013	340	12	16x22,5°
HB 100 T4 15kW (A6:6)	1115	1070	738	1013	340	12	16x22,5°
HB 100 T4 18,5kW (A6:6)	1115	1070	776	1013	340	12	16x22,5°
HB 100 T4 22kW (A6:6)	1115	1070	792	1013	340	12	16x22,5°
HB 100 T6 1,5kW (A6:3)	1115	1070	653	1013	340	12	16x22,5°
HB 100 T6 2,2kW (A6:3)	1115	1070	653	1013	340	12	16x22,5°
HB 100 T6 2,2kW (A6:6)	1115	1070	653	1013	340	12	16x22,5°
HB 100 T6 3kW (A6:3)	1115	1070	653	1013	340	12	16x22,5°
HB 100 T6 3kW (A6:6)	1115	1070	653	1013	340	12	16x22,5°
HB 100 T6 4kW (A6:3)	1115	1070	653	1013	340	12	16x22,5°
HB 100 T6 4kW (A6:6)	1115	1070	653	1013	340	12	16x22,5°
HB 100 T6 5,5kW (A6:6)	1115	1070	653	1013	340	12	16x22,5°
HB 100 T6 7,5kW (A6:6)	1115	1070	716	1013	340	12	16x22,5°
HB 100 T4/T8 5,5/1,1kW (A6:3)	1115	1070	653	1013	340	12	16x22,5°
HB 100 T4/T8 7,5/1,5kW (A6:3)	1115	1070	653	1013	340	12	16x22,5°
HB 100 T4/T8 7,5/1,5kW (A6:6)	1115	1070	653	1013	340	12	16x22,5°
HB 100 T4/T8 11/3kW (A6:3)	1115	1070	738	1013	340	12	16x22,5°
HB 100 T4/T8 11/3kW (A6:6)	1115	1070	738	1013	340	12	16x22,5°
HB 100 T4/T8 15/3,5kW (A6:3)	1115	1070	716	1013	340	12	16x22,5°
HB 100 T4/T8 15/3,5kW (A6:6)	1115	1070	716	1013	340	12	16x22,5°

Model	ØA	ØB	C	ØDint	E	ØJ	O
HB 100 T4/T8 17/4,3kW (A6:6)	1115	1070	776	1013	340	12	16x22,5°
HB 100 T4/T8 20/5kW (A6:6)	1115	1070	792	1013	340	12	16x22,5°
HB 112 T4 5,5kW (A6:3)	1234	1190	760	1132	340	12	16x22,5°
HB 112 T4 7,5kW (A6:3)	1234	1190	760	1132	340	12	16x22,5°
HB 112 T4 11kW (A6:3)	1234	1190	760	1132	340	12	16x22,5°
HB 112 T4 11kW (A6:6)	1234	1190	760	1132	340	12	16x22,5°
HB 112 T4 15kW (A6:3)	1234	1190	760	1132	340	12	16x22,5°
HB 112 T4 15kW (A6:6)	1234	1190	760	1132	340	12	16x22,5°
HB 112 T4 18,5kW (A6:3)	1234	1190	761	1132	340	12	16x22,5°
HB 112 T4 18,5kW (A6:6)	1234	1190	761	1132	340	12	16x22,5°
HB 112 T4 22kW (A6:3)	1234	1190	780	1132	340	12	16x22,5°
HB 112 T4 22kW (A6:6)	1234	1190	780	1132	340	12	16x22,5°
HB 112 T4 30kW (A6:6)	1234	1190	864	1132	340	12	16x22,5°
HB 112 T6 2,2kW (A6:3)	1234	1190	760	1132	340	12	16x22,5°
HB 112 T6 2,2kW (A6:6)	1234	1190	760	1132	340	12	16x22,5°
HB 112 T6 3kW (A6:3)	1234	1190	760	1132	340	12	16x22,5°
HB 112 T6 3kW (A6:6)	1234	1190	760	1132	340	12	16x22,5°
HB 112 T6 4kW (A6:3)	1234	1190	760	1132	340	12	16x22,5°
HB 112 T6 4kW (A6:6)	1234	1190	760	1132	340	12	16x22,5°
HB 112 T6 5,5kW (A6:3)	1234	1190	760	1132	340	12	16x22,5°
HB 112 T6 5,5kW (A6:6)	1234	1190	760	1132	340	12	16x22,5°
HB 112 T6 7,5kW (A6:6)	1234	1190	760	1132	340	12	16x22,5°
HB 112 T6 11kW (A6:6)	1234	1190	760	1132	340	12	16x22,5°
HB 112 T4/T8 5,5/1,1kW (A6:3)	1234	1190	760	1132	340	12	16x22,5°
HB 112 T4/T8 7,5/1,5kW (A6:3)	1234	1190	760	1132	340	12	16x22,5°
HB 112 T4/T8 11/3kW (A6:3)	1234	1190	760	1132	340	12	16x22,5°
HB 112 T4/T8 11/3kW (A6:6)	1234	1190	760	1132	340	12	16x22,5°
HB 112 T4/T8 15/3,5kW (A6:3)	1234	1190	760	1132	340	12	16x22,5°
HB 112 T4/T8 15/3,5kW (A6:6)	1234	1190	760	1132	340	12	16x22,5°
HB 112 T4/T8 17/4,3kW (A6:3)	1234	1190	761	1132	340	12	16x22,5°
HB 112 T4/T8 17/4,3kW (A6:6)	1234	1190	761	1132	340	12	16x22,5°
HB 112 T4/T8 20/5kW (A6:3)	1234	1190	780	1132	340	12	16x22,5°
HB 112 T4/T8 20/5kW (A6:6)	1234	1190	780	1132	340	12	16x22,5°
HB 112 T4/T8 28/6,5kW (A6:6)	1234	1190	864	1132	340	12	16x22,5°
HB 112 T4/T8 35/8kW (A6:6)	1234	1190	864	1132	340	12	16x22,5°
HB 125 T4 11kW (A7:4)	1365	1320	759	1263	340	15	20x18°
HB 125 T4 15kW (A7:4)	1365	1320	759	1263	340	15	20x18°
HB 125 T4 15kW (A7:8)	1365	1320	759	1263	340	15	20x18°
HB 125 T4 18,5kW (A7:4)	1365	1320	760	1263	340	15	20x18°
HB 125 T4 18,5kW (A7:8)	1365	1320	760	1263	340	15	20x18°

Model	ØA	ØB	C	ØDint	E	ØJ	O
HB 125 T4 22kW (A7:4)	1365	1320	779	1263	340	15	20x18°
HB 125 T4 22kW (A7:8)	1365	1320	779	1263	340	15	20x18°
HB 125 T4 30kW (A7:4)	1365	1320	863	1263	340	15	20x18°
HB 125 T4 30kW (A7:8)	1365	1320	863	1263	340	15	20x18°
HB 125 T4 37kW (A7:4)	1365	1320	948	1263	340	15	20x18°
HB 125 T4 37kW (A7:8)	1365	1320	948	1263	340	15	20x18°
HB 125 T4 45kW (A7:8)	1365	1320	948	1263	340	15	20x18°
HB 125 T6 3kW (A7:4)	1365	1320	759	1263	340	15	20x18°
HB 125 T6 4kW (A7:4)	1365	1320	759	1263	340	15	20x18°
HB 125 T6 5,5kW (A7:4)	1365	1320	759	1263	340	15	20x18°
HB 125 T6 5,5kW (A7:8)	1365	1320	759	1263	340	15	20x18°
HB 125 T6 7,5kW (A7:4)	1365	1320	759	1263	340	15	20x18°
HB 125 T6 7,5kW (A7:8)	1365	1320	759	1263	340	15	20x18°
HB 125 T6 11kW (A7:4)	1365	1320	759	1263	340	15	20x18°
HB 125 T6 11kW (A7:8)	1365	1320	759	1263	340	15	20x18°
HB 125 T6 15kW (A7:8)	1365	1320	779	1263	340	15	20x18°
HB 125 T4/T8 11/3kW (A7:4)	1365	1320	759	1263	340	15	20x18°
HB 125 T4/T8 15/3,5kW (A7:4)	1365	1320	759	1263	340	15	20x18°
HB 125 T4/T8 15/3,5kW (A7:8)	1365	1320	759	1263	340	15	20x18°
HB 125 T4/T8 17/4,3kW (A7:4)	1365	1320	760	1263	340	15	20x18°
HB 125 T4/T8 20/5kW (A7:4)	1365	1320	779	1263	340	15	20x18°
HB 125 T4/T8 20/5kW (A7:8)	1365	1320	779	1263	340	15	20x18°
HB 125 T4/T8 28/6,5kW (A7:4)	1365	1320	863	1263	340	15	20x18°
HB 125 T4/T8 28/6,5kW (A7:8)	1365	1320	863	1263	340	15	20x18°
HB 125 T4/T8 35/8kW (A7:4)	1365	1320	863	1263	340	15	20x18°
HB 125 T4/T8 35/8kW (A7:8)	1365	1320	863	1263	340	15	20x18°
HB 125 T4/T8 37/9,2kW (A7:8)	1365	1320	948	1263	340	15	20x18°
HB 125 T4/T8 44/11kW (A7:8)	1365	1320	948	1263	340	15	20x18°

WIRING DIAGRAM

DIAGRAM N° 1

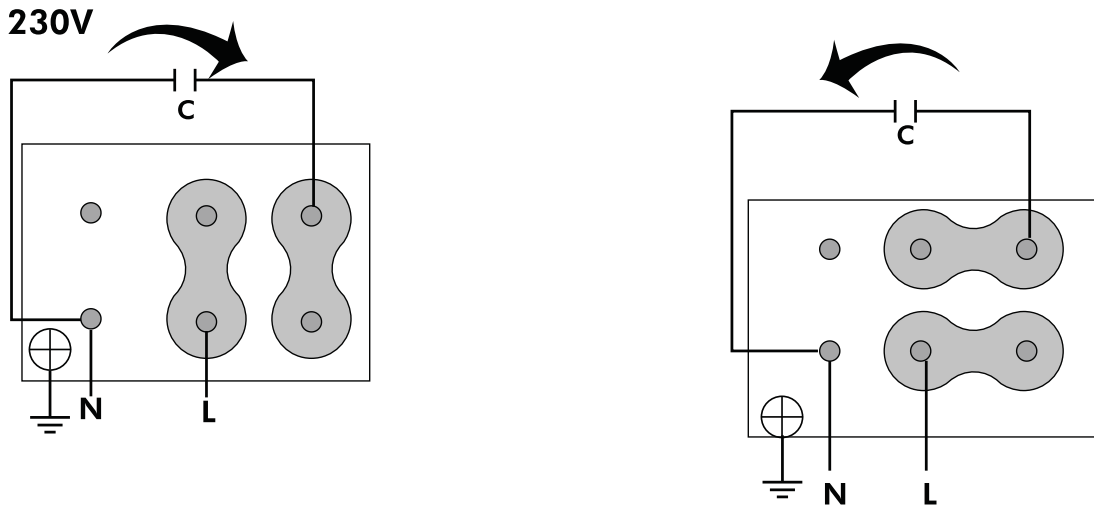


DIAGRAM N° 2

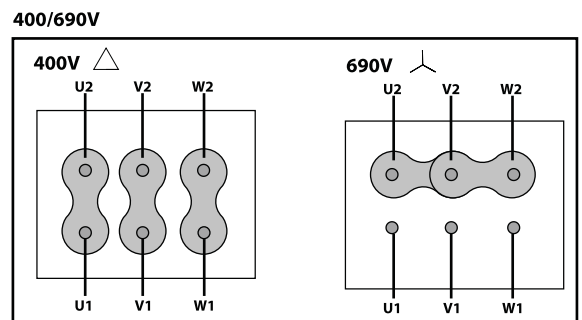
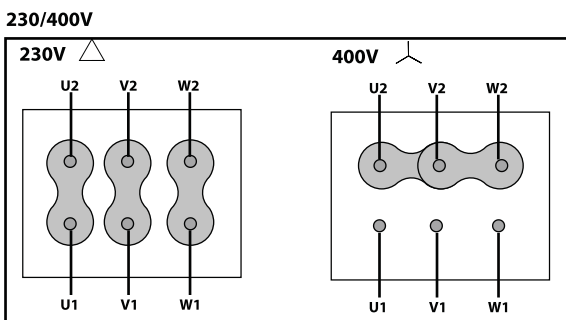
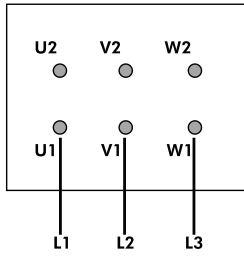


DIAGRAM N° 3

400V DAHLANDER (Y,YY)

LOW SPEED
VELOCIDAD BAJA



HIGH SPEED
VELOCIDAD ALTA

