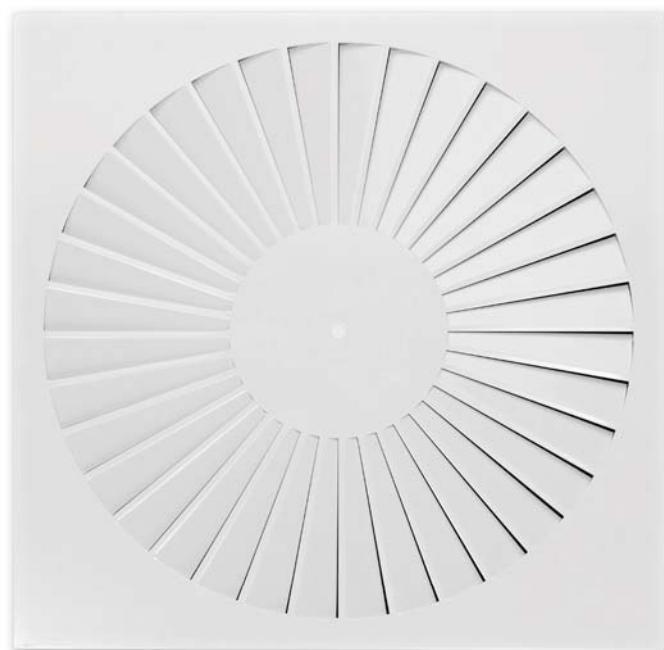


Ceiling swirl diffusers

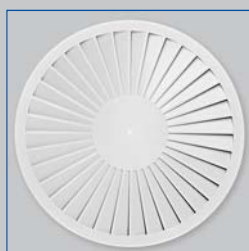
Type FD



Plenum box with damper blade and square diffuser face



Horizontal swirling air discharge



Circular diffuser face

For comfort zones, with fixed air control blades

Circular and square ceiling swirl diffusers that create high induction levels, for high room air change rates

- Nominal sizes 300, 400, 500, 600, 625
- Volume flow rate range 9 – 235 l/s or 31 – 846 m³/h
- Diffuser face made of galvanised sheet steel, powder-coated
- For supply and extract air
- For variable and constant volume flows
- For all types of ceiling systems, and with an extended border also suitable for freely suspended installation
- High induction results in a rapid reduction of the temperature difference and airflow velocity
- Air change rates of up to 35 per hour can be achieved by arranging several diffusers in a row with a minimum pitch of 0.9 m (centre line to centre line)
- Ideal for comfort zones

Optional equipment and accessories

- Exposed diffuser face available in RAL CLASSIC colours
- Plenum box with cord-operated damper blade and pressure tap

Type		Page
FD	General information	FD – 2
	Function	FD – 4
	Technical data	FD – 6
	Quick sizing	FD – 7
	Specification text	FD – 8
	Order code	FD – 9
	Variants	FD – 10
	Dimensions and weight	FD – 12
	Product details	FD – 15
	Installation examples	FD – 16
	Installation details	FD – 17
	Commissioning	FD – 20
	Basic information and nomenclature	FD – 22

Application

Application

- Type FD ceiling swirl diffusers are used as supply air or extract air diffusers for comfort zones
- Attractive design element for building owners and architects with demanding aesthetic requirements
- Horizontal swirling supply air discharge for mixed flow ventilation
- The efficient swirl creates high induction levels, thereby rapidly reducing the temperature difference and airflow velocity (supply air variant)
- For variable and constant volume flows
- For supply air to room air temperature differences from –12 to +10 K
- For room heights up to 4 m (lower edge of suspended ceiling)
- For all types of ceiling systems

- With an extended border also suitable for freely suspended installation (supply air variant)

Special characteristics

- High induction results in a rapid reduction of the supply air to room air temperature difference and airflow velocity
- For all types of ceiling systems, and with an extended border also suitable for freely suspended installation
- Horizontal or vertical duct connection
- Air change rates of up to 35 per hour can be achieved by arranging several diffusers in a row with a minimum pitch of 0.9 m (centre line to centre line)

Nominal sizes

- 300, 400, 500, 600, 625

Description

Variants

- FD-Q: Square diffuser face
- FD-R: Circular diffuser face
- FD*-Z: Supply air
- FD*-A: Extract air

Connection

- H: Horizontal duct connection
- V: Vertical duct connection

Parts and characteristics

- Circular or square diffuser face
- Diffuser face with radially arranged fixed air control blades
- Plenum box for supply air, with an optimised equalising element that ensures a uniform airflow through the diffuser face
- Simple installation of the diffuser face due to central fixing screw with decorative cap
- Damper blade for volume flow rate balancing (optional)

Attachments

- M: Damper blade for volume flow rate balancing

- MN: Pressure tap and cord-operated damper blade for volume flow rate balancing with the diffuser face in place

Accessories

- Lip seal

Construction features

- Spigot suitable for circular ducts to EN 1506 or EN 13180
- Spigot with groove for lip seal (if accessory lip seal has been ordered)

Materials and surfaces

- Diffuser face made of galvanised sheet steel
- V, H: Plenum box and cross bar made of galvanised sheet steel
- X: Plenum box made of plastic and galvanised sheet steel
- Lip seal made of rubber
- Diffuser face powder-coated RAL 9010, pure white
- P1: Powder-coated, RAL CLASSIC colour

Standards and guidelines

- Sound power level of the air-regenerated noise measured according to EN ISO 5135
- materials are not subject to wear
- Inspection and cleaning to VDI 6022

Maintenance

- Maintenance-free as construction and

Functional description

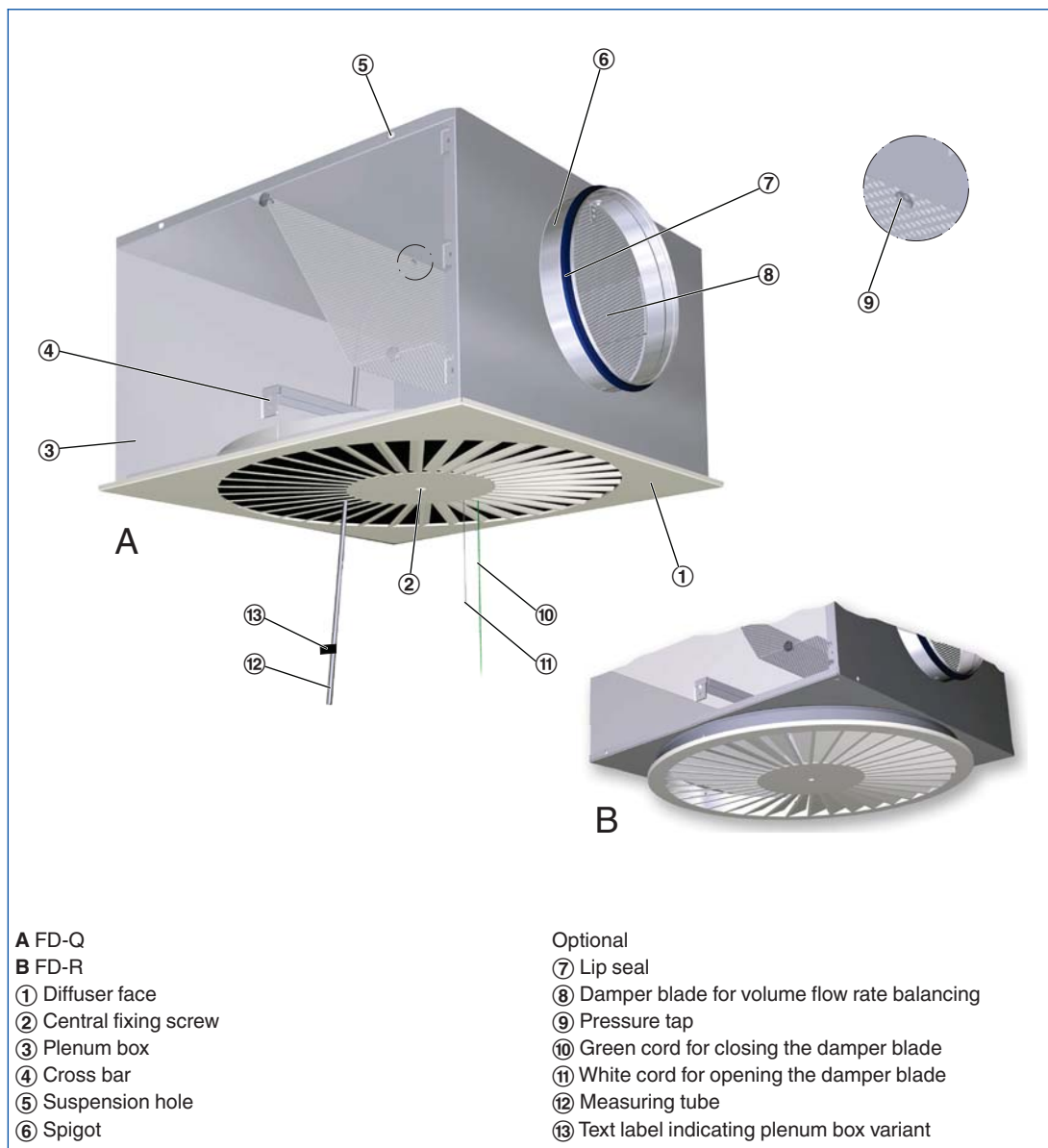
Ceiling swirl diffusers in air conditioning systems create a swirl to supply air to rooms. The resulting airflow induces high levels of room air, thereby rapidly reducing the airflow velocity and the temperature difference between supply air and room air. Ceiling swirl diffusers allow for large volume flow rates. The result is a mixed flow ventilation in comfort zones, with good overall room ventilation, creating only very little turbulence in the occupied zone.

Type FD ceiling swirl diffusers have fixed blades. Air discharge is horizontal omni directional. The supply air to room air temperature difference may range from -12 to $+10$ K.

A damper blade (optional) simplifies volume flow rate balancing for commissioning. Pressure tap and cord-operated damper blade (optional) allow for volume flow rate balancing with the diffuser face in place.

To give rooms an aesthetic, uniform look, Type FD diffusers may also be used for extract air.

Schematic illustration of the FD, with plenum box for horizontal duct connection



Horizontal omni directional air discharge



Nominal sizes	300, 400, 500, 600, 625 mm
Minimum volume flow rate, with $\Delta t_z = -6$ K	9 – 28 l/s or 31 – 102 m ³ /h
Maximum volume flow rate, with $L_{WA} \cong 50$ dB(A)	70 – 235 l/s or 252 – 846 m ³ /h
Supply air to room air temperature difference	-12 to +10 K

This specification text describes the general properties of the product. Texts for variants can be generated with our Easy Product Finder design programme.

Ceiling swirl diffusers with square or circular diffuser face. Supply air and extract air variants for comfort zones. Diffuser face with fixed air control blades for horizontal swirling supply air discharge creating high induction levels. For installation into all types of suspended ceilings.

Ready-to-install component which consists of the casing, diffuser face, spigot, and a cross bar to which the diffuser face is fixed.

The diffuser face is fixed to the cross bar with a central screw.

Spigot suitable for ducts to EN 1506 or EN 13180.

Sound power level of the air-regenerated noise measured according to EN ISO 5135.

Special characteristics

- High induction results in a rapid reduction of the supply air to room air temperature difference and airflow velocity
- For all types of ceiling systems, and with an extended border also suitable for freely suspended installation
- Horizontal or vertical duct connection
- Air change rates of up to 35 per hour can be achieved by arranging several diffusers in a row with a minimum pitch of 0.9 m (centre line to centre line)

Materials and surfaces

- Diffuser face made of galvanised sheet steel
- V, H: Plenum box and cross bar made of galvanised sheet steel
- X: Plenum box made of plastic and galvanised sheet steel
- Lip seal made of rubber
- Diffuser face powder-coated RAL 9010, pure white
- P1: Powder-coated, RAL CLASSIC colour

Technical data

- Nominal sizes: 300, 400, 500, 600, 625 mm
- Minimum volume flow rate, with $\Delta t_z = -6$ K: 9 – 28 l/s or 31 – 102 m³/h
- Maximum volume flow rate, with $L_{WA} \approx 50$ dB(A): 70 – 235 l/s or 252 – 846 m³/h
- Supply air to room air temperature difference: -12 to +10 K

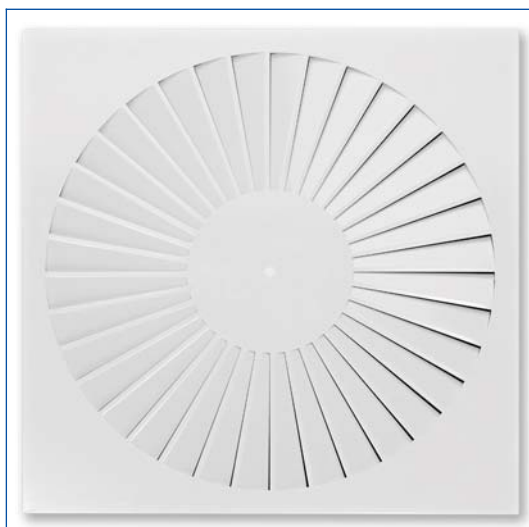
Sizing data

- \dot{V} _____
[m³/h]
- Δp_t _____
[Pa]

Air-regenerated noise

- L_{WA} _____
[dB(A)]

FD-Q



FD-Q-*-H

Variant

- Ceiling swirl diffuser with square diffuser face
- With plenum box for horizontal duct connection

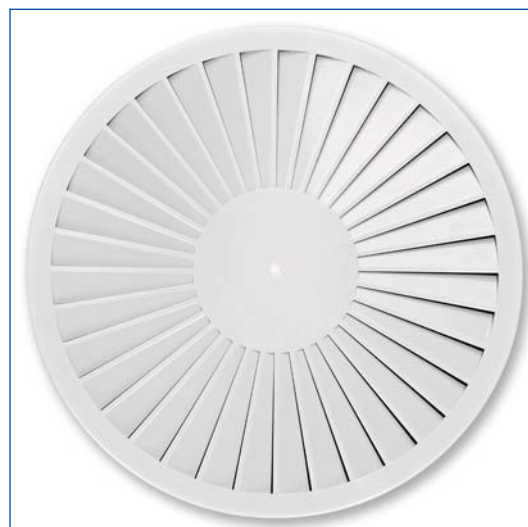
Nominal sizes

- 300, 400, 500, 600, 625

Parts and characteristics

- Square diffuser face
- Plenum box for horizontal duct connection
- Square opening to accommodate the diffuser face
- Equalising element that ensures a uniform airflow through the diffuser face (supply air

FD-R



variant)

- Simple installation of the diffuser face due to central fixing screw with decorative cap
- Damper blade for volume flow rate balancing (optional)
- Pressure tap and cord-operated damper blade for volume flow rate balancing (optional)
- Lip seal (optional)

Construction features

- Spigot suitable for circular ducts to EN 1506 or EN 13180
- Spigot with groove for lip seal (if accessory lip seal has been ordered)

FD-Q-*-V

Variant

- Ceiling swirl diffuser with square diffuser face
- With plenum box for vertical duct connection

Nominal sizes

- 300, 400, 500, 600, 625

Parts and characteristics

- Square diffuser face
- Plenum box for vertical duct connection
- Circular opening to accommodate the diffuser face
- Equalising element that ensures a uniform

airflow through the diffuser face (supply air variant)

- Simple installation of the diffuser face due to central fixing screw with decorative cap
- Damper blade for volume flow rate balancing (optional)
- Lip seal (optional)

Construction features

- Spigot suitable for circular ducts to EN 1506 or EN 13180
- Spigot with groove for lip seal (if accessory lip seal has been ordered)

FD-R-*-H

Variant

- Ceiling swirl diffuser with circular diffuser face
- With plenum box for horizontal duct connection

Nominal sizes

- 300, 400, 500, 600, 625

Parts and characteristics

- Circular diffuser face
- Plenum box for horizontal duct connection
- Circular opening to accommodate the diffuser face
- Equalising element that ensures a uniform airflow through the diffuser face (supply air variant)
- Simple installation of the diffuser face due to

- central fixing screw with decorative cap
- Damper blade for volume flow rate balancing (optional)
- Pressure tap and cord-operated damper blade for volume flow rate balancing (optional)
- Lip seal (optional)

Construction features

- Spigot suitable for circular ducts to EN 1506 or EN 13180
- Spigot with groove for lip seal (if accessory lip seal has been ordered)

FD-R-*-V

Variant

- Ceiling swirl diffuser with circular diffuser face
- With plenum box for vertical duct connection

Nominal sizes

- 300, 400, 500, 600, 625

Parts and characteristics

- Circular diffuser face
- Plenum box for vertical duct connection
- Circular opening to accommodate the diffuser face
- Equalising element that ensures a uniform

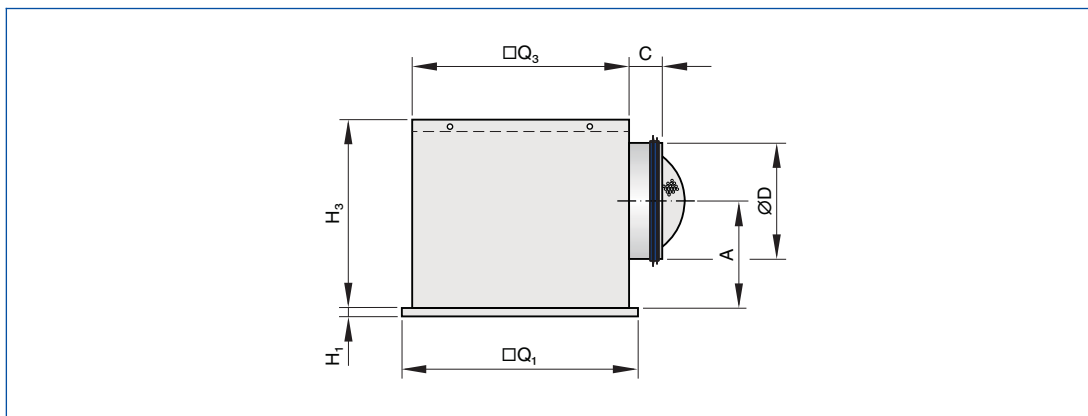
airflow through the diffuser face (supply air variant)

- Simple installation of the diffuser face due to central fixing screw with decorative cap
- Damper blade for volume flow rate balancing (optional)
- Lip seal (optional)

Construction features

- Spigot suitable for circular ducts to EN 1506 or EN 13180
- Spigot with groove for lip seal (if accessory lip seal has been ordered)

Square diffuser face with plenum box for horizontal duct connection

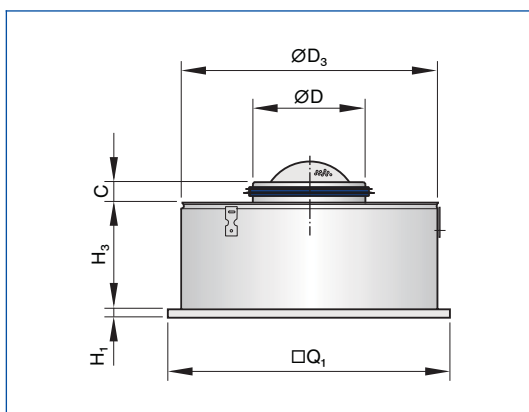


FD-Q*-H

Nominal size	$\square Q_1$	H_1	$\square Q_3$	H_3	$\varnothing D$	A	C	Plenum box	m
	mm	mm	mm	mm	mm	mm	mm		kg
300	298	8	290	250	158	139	50	AK-Uni-001	4.0
400	398	8	372	295	198	164	50	AK-Uni-002	6.2
500	498	8	476	295	198	164	50	AK-Uni-003	8.5
600	598	8	567	345	248	199	48	AK-Uni-004	11.6
625	623	8	567	345	248	199	48	AK-Uni-004	11.9

Weights apply to the supply air variant

Square diffuser face with plenum box for vertical duct connection

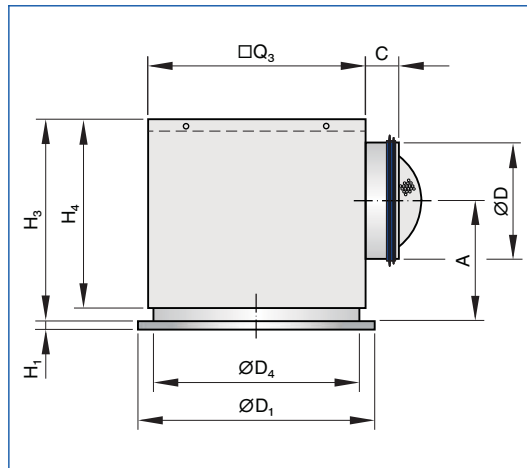


FD-Q-*-V

Nominal size	$\square Q_1$	H_1	$\varnothing D_3$	H_3	$\varnothing D$	C	m
	mm	mm	mm	mm	mm	mm	kg
300	298	8	275	200	158	50	3.0
400	398	8	364	200	198	50	4.7
500	498	8	462	200	198	50	6.7
600	598	8	559	200	248	48	8.9
625	623	8	559	200	248	48	9.2

Weights apply to the supply air variant

Circular diffuser face with plenum box for horizontal duct connection

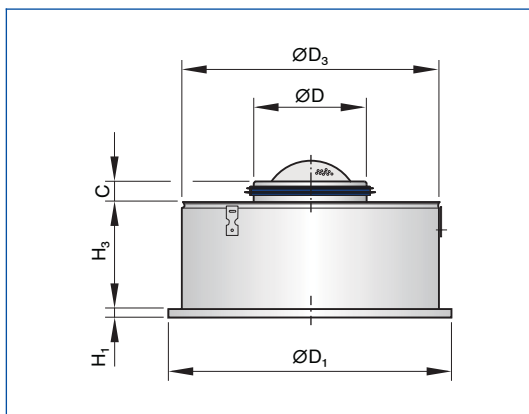


FD-R-*-H

Nominal size	$\varnothing D_1$	H_1	$\square Q_3$	H_3	$\varnothing D_4$	H_4	$\varnothing D$	A	C	Plenum box	m
	mm	mm	mm	mm	mm	mm	mm	mm	mm		kg
300	300	8	290	285	278	250	158	174	50	AK-Uni-013	4.2
400	400	8	372	330	362	295	198	199	50	AK-Uni-014	6.5
500	500	8	476	330	460	295	198	199	50	AK-Uni-015	9.0
600	600	8	567	380	557	345	248	234	48	AK-Uni-016	12.3
625	625	8	567	380	557	345	248	234	48	AK-Uni-016	12.5

Weights apply to the supply air variant

Circular diffuser face with plenum box for vertical duct connection

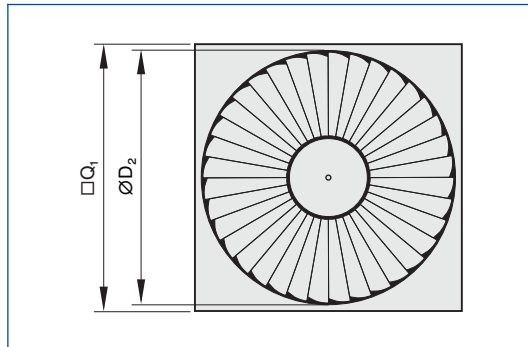


FD-R-⁺-V

Nominal size	ØD ₁	H ₁	ØD ₃	H ₃	ØD	C	m
	mm	mm	mm	mm	mm	mm	kg
300	300	8	275	200	158	50	2.8
400	400	8	364	200	198	50	4.4
500	500	8	462	200	198	50	6.3
600	600	8	559	200	248	48	8.5
625	625	8	559	200	248	48	8.7

Weights apply to the supply air variant

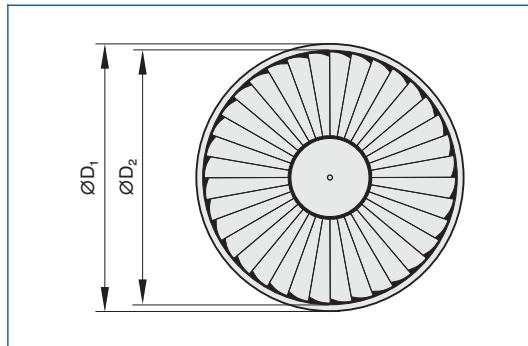
Diffuser face FD-Q



FD-Q

Nominal size	$\square Q_1$	$\varnothing D_2$	A_{eff}
	mm	mm	m ²
300	298	250	0.0088
400	398	350	0.0180
500	498	450	0.0251
600	598	538	0.0295
625	623	538	0.0295

Diffuser face FD-R



FD-R

Nominal size	$\varnothing D_1$	$\varnothing D_2$	A_{eff}
	mm	mm	m ²
300	300	250	0.0088
400	400	350	0.0180
500	500	450	0.0251
600	600	538	0.0295
625	625	538	0.0295

Installation in T-bar ceilings



Installation in T-bar ceilings, arrangement in a row



Installation in continuous ceilings

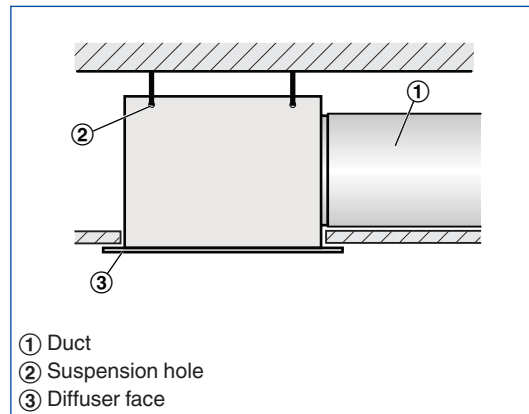


Installation and commissioning

- Preferably for rooms with a clear height up to 4.0 m
- Flush ceiling installation
- Freely suspended installation only with an extended border (supply air variant)
- Horizontal or vertical duct connection
- If necessary, carry out volume flow rate balancing with the damper blade

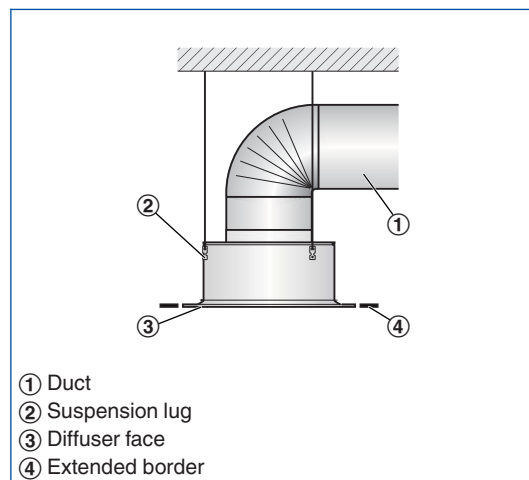
These are only schematic diagrams to illustrate installation details.

Flush ceiling installation with square plenum box



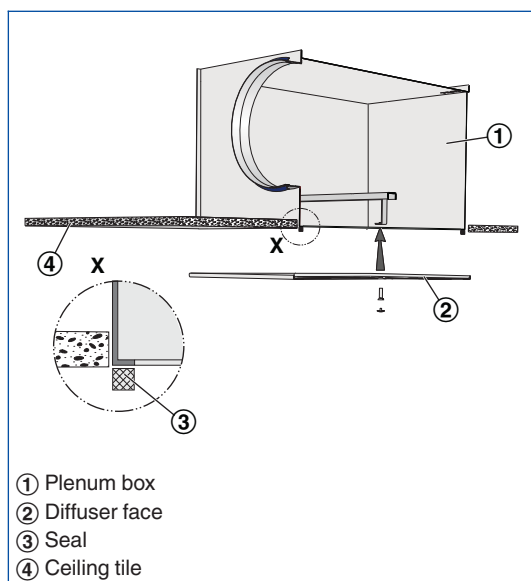
- Horizontal duct connection
- Four suspension holes
- Suspension with cords, wires or hangers, to be provided by others

Freely suspended installation



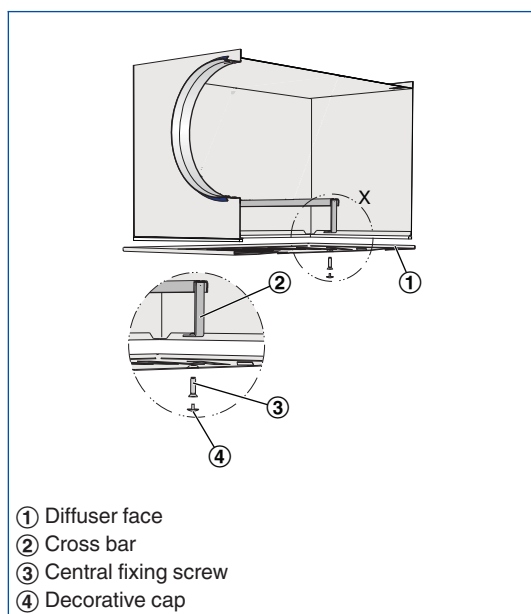
- Vertical duct connection
- Three suspension lugs
- Suspension with cords, wires or hangers, to be provided by others

Diffuser face – sealing



- The self-adhesive sealing tape (supplied) has to be applied to the return edges of the plenum box by others

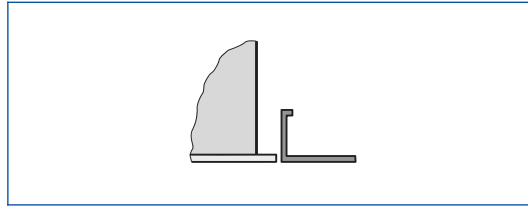
Diffuser face – central screw fixing



- Using the central fixing screw, fix the diffuser face to the cross bar of the plenum box
- Attach the decorative cap

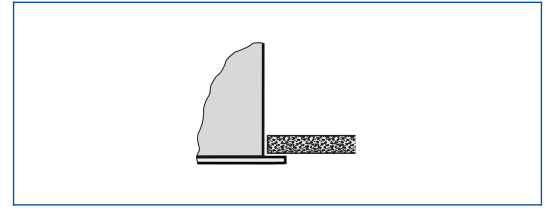
Ceiling systems

Installation into grid ceilings



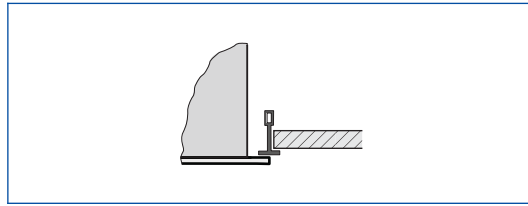
- Fix the plenum box to the ceiling
- The ceiling tile of the grid ceiling is independent of the ceiling diffuser
- Fix the diffuser face after the ceiling has been completed

Installation in continuous ceilings



- Fix plenum box (including diffuser face, if necessary) to the ceiling
- Adjust plasterboard ceiling tile as required
- If necessary, fix the diffuser face after the ceiling has been completed

Installation in T-bar ceilings



- Fix the plenum box to the ceiling
- The T-bar ceiling is independent of the ceiling diffuser
- Fix the diffuser face below the T-bars after the ceiling has been completed

Volume flow rate balancing

When several diffusers are connected to just one volume flow controller, it may be necessary to balance the volume flow rates.

- Ceiling diffusers with universal plenum box and damper blade (variant -M): The diffuser face can be removed to access the damper blade; the damper blade can then be set to any position between 0 and 90°
- Ceiling diffusers with universal plenum box, damper blade and pressure tap (variant -MN): The diffuser face need not be removed since the damper blade can be set with two cords (white and green).

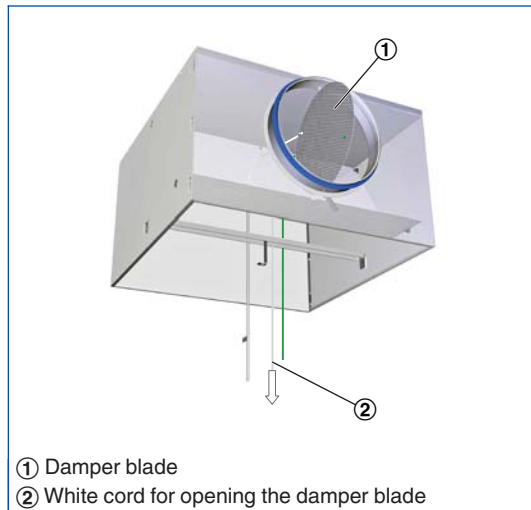
Volume flow rate measurement

Ceiling diffusers with universal plenum box, damper blade and pressure tap (variant -MN) allow for volume flow rate balancing even with the diffuser face in place.

- Connect the measuring tube to the digital manometer
- Read the effective pressure
- Read the volume flow rate off the characteristic or calculate it
- If necessary, adjust the damper blade position with the cords

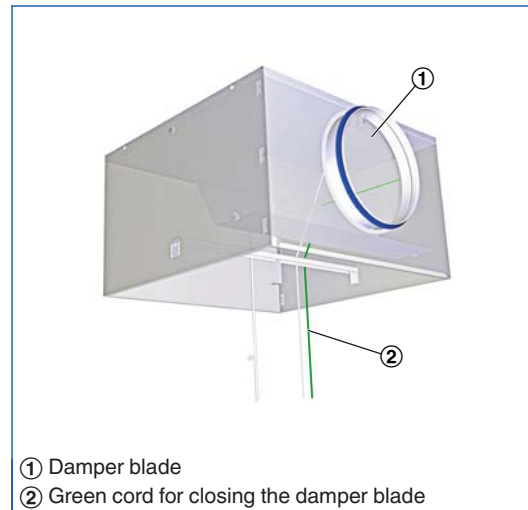
A characteristic is included with each AK-Uni plenum box.

AK-Uni-...-MN Volume flow rate balancing



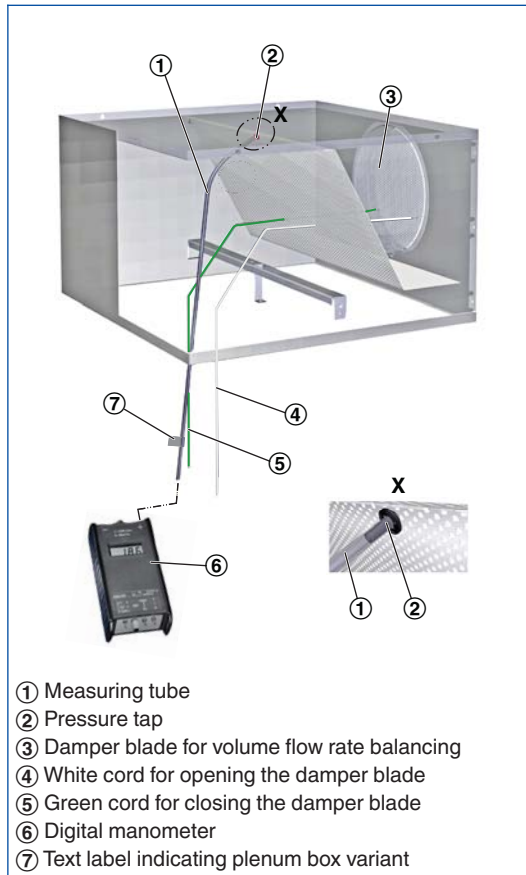
Open, 0°

AK-Uni-...-MN Volume flow rate balancing



Closed, 90°

AK-Uni-...-MN volume flow rate measurement



Volume flow rate calculation for air density
1.2 kg/m³

$$\dot{V} = C \times \sqrt{\Delta p_w}$$

Volume flow rate calculation for other air
densities

$$\dot{V} = C \times \sqrt{\Delta p_w} \times \sqrt{\frac{1.2}{\rho}}$$