



MTIB

Mechanical immersion thermostat

MTIB is a series of high quality electro-mechanical thermostats for use in cooling, heating and ventilation systems.

- ✓ Wide setpoint range
- ✓ Fixed hysteresis
- ✓ Breaking capacity 15 A at 230 V AC
- ✓ Protection class IP65

Function

The MTIB electro-mechanical thermostats are constructed around a fluid-filled capillary tube and sensor housing that transfers the changes in temperature to a micro-switch with SPDT contacts. The micro-switch is capable of breaking up to 15 A at 230 V AC.

MTIB is intended for use in temperature control in pipes using water for heating or cooling, as well as in air conditioning systems, boilers and heaters.

Features

Setpoint adjustment

Models are available with setpoint adjustment via a knob mounted on the unit cover. A range calibration function is also available on request.

Technical data

Sensor element	Liquid-filled copper bulb
Contacts	Dust-tight microswitches with SPDT contacts (heat/cool)
Switch capacity	15 (8) A, 24...250 V AC
Ambient temperature	-35...+65 °C
Ambient humidity	10...90 % RH (non-condensing)
Protection class	IP65
Isolation class	1
Weight	440 g
Storage temperature	-40...+70°C
Storage humidity	up to 95% RH

Material

Housing	Bayblend® base, ABS cover
----------------	---------------------------

Models

Article	Temperature range	Hysteresis	Max. bulb temp.
MTIB60	0...+60°C	1K	75°C
MTIB90	20...90°C	1K	100°C
MTIB120	50...120°C	1K	140°C

CE

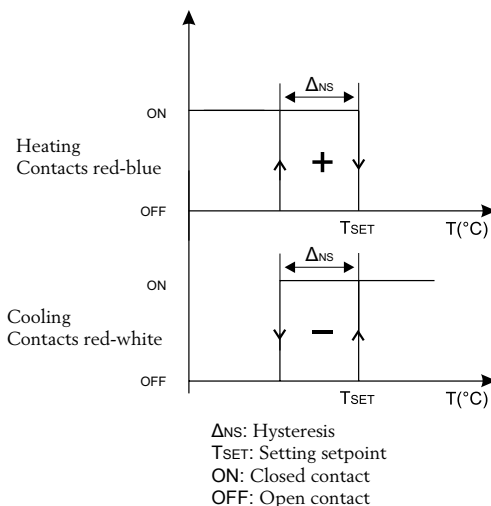
Low Voltage Directive (LVD) standards: This product conforms to the requirements of the European Low Voltage Directive (LVD) 2014/35/EU through product standards EN 60335-1.

RoHS: This product conforms to the Directive 2011/65/EU of the European Parliament and of the Council through standard EN 50581:2012.

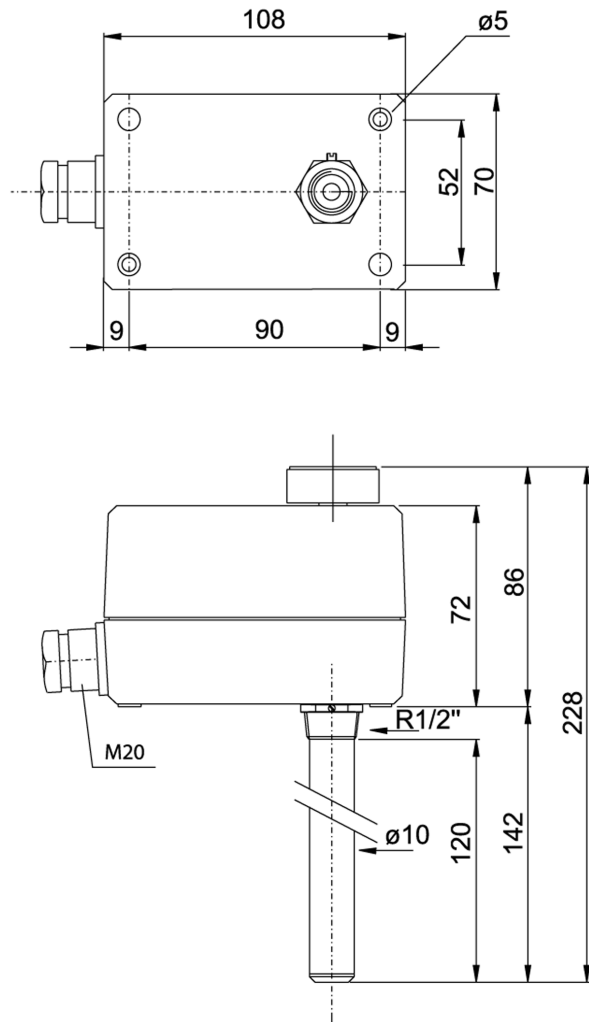
Accessories

Article	Description
DR-16/14	Brass immersion well 120 mm, Øexternal 10mm, Øinternal 8,5mm, connection R 1/2"
DR-17/14	Stainless steel EN 10088-3:1.4301 immersion well 120 mm, Øexternal 10mm, Øinternal 8,5mm, connection R 1/2"

Logic activation

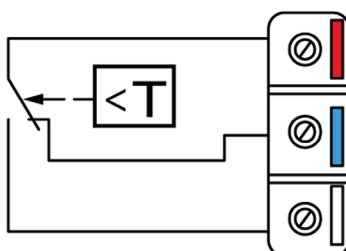


Dimensions



Measurements in mm.

Wiring



Heating

Connect to the red and blue terminal. The contact will open when the temperature rises.

Cooling

Connect to the red and white terminal. The contact will open when the temperature drops.

Product documentation

Document	Description
MTIB instruction	Instruction for installation of MTIB

The product documentation can be downloaded from www.regincontrols.com